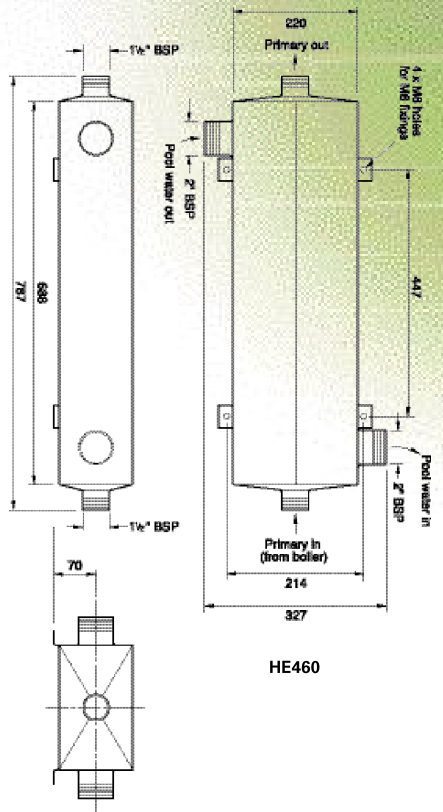
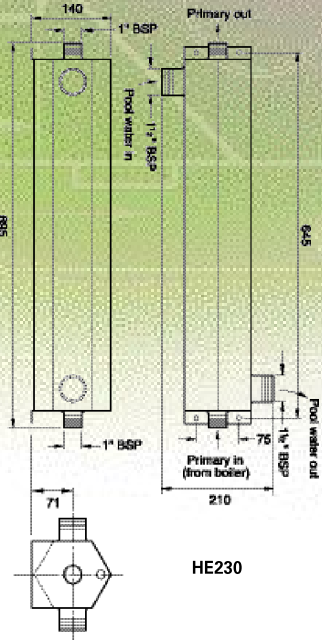


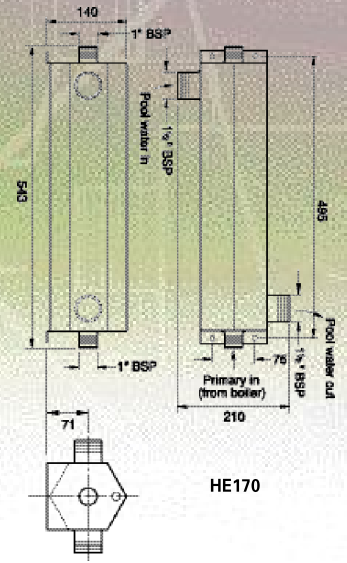
CERTIKIN HEAT EXCHANGERS



HE460

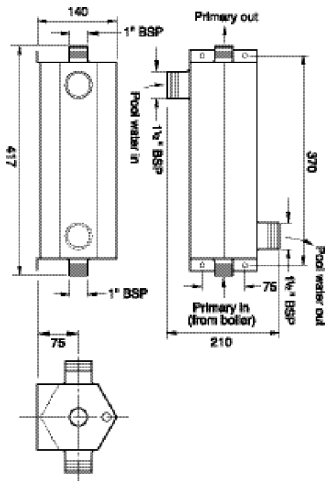


HE230

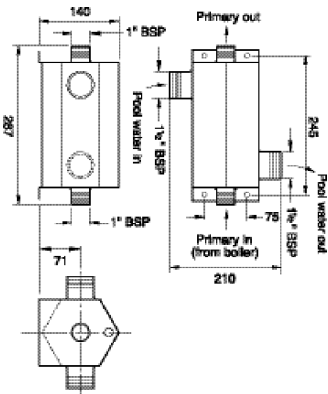


HE170

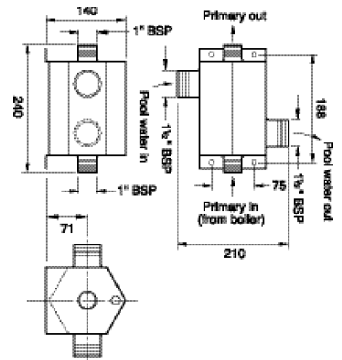
HE130



HE100



HESPA



If you should require further technical information please do not hesitate to contact us.



Certikin
international ltd

STAINLESS STEEL HEAT EXCHANGERS

FEATURES

- Fabricated from heavy gauge stainless steel
- Requires no maintenance
- Welded construction
- Compact design
- Wall mounted to assist with space saving
- Thermostat pocket incorporated into the Heat Exchanger
- Highly efficient

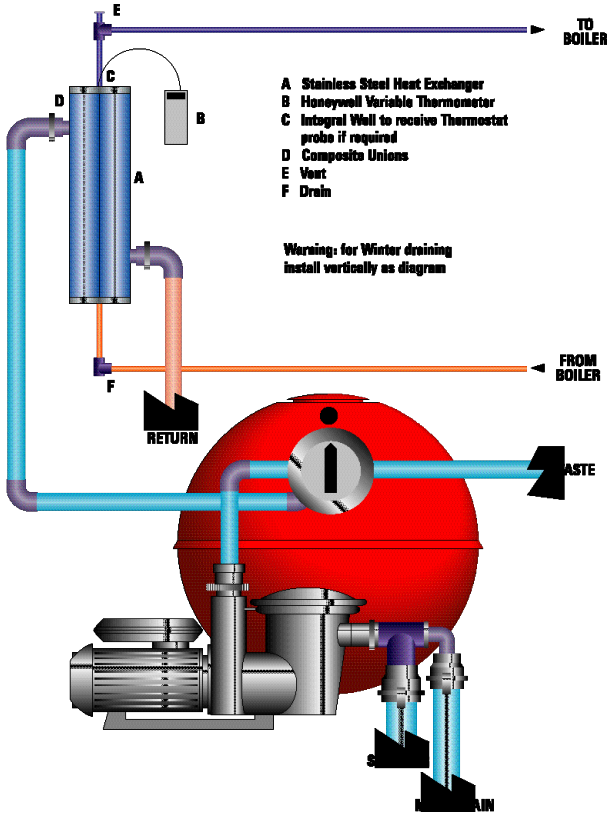


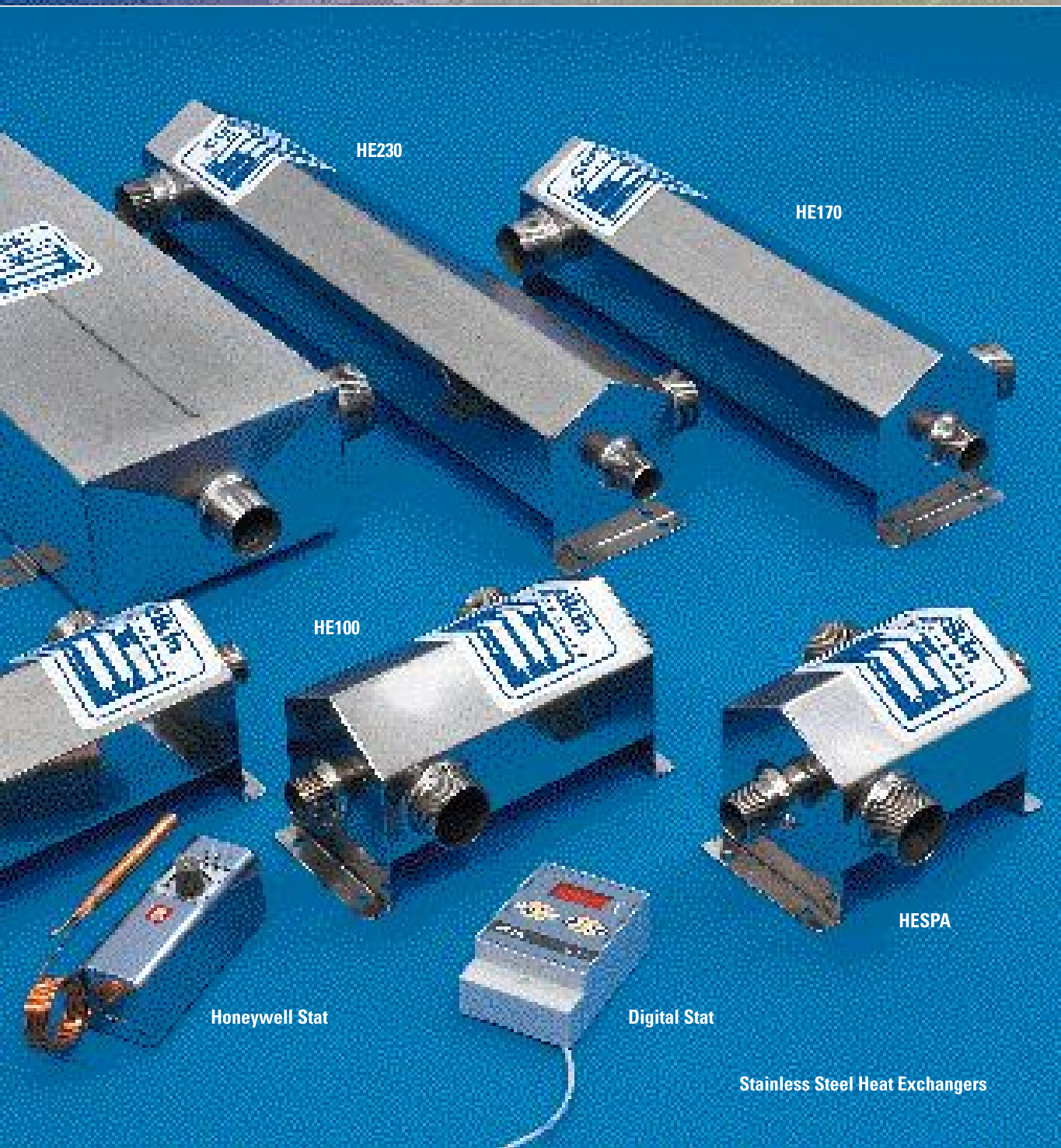
Certikin has built an enviable reputation for high quality and technical innovation in the field of swimming pool equipment. There is a Certikin product for virtually every application from large commercial installations to small domestic pools. Throughout Certikin's comprehensive range, regular supply, a high level of service and ultimate quality are guaranteed.

ALL STAINLESS STEEL HEAT EXCHANGERS

Often the most economical installation for swimming pool heating is a heat exchanger. This is linked to the house boiler so that heat is supplied to the pool when it is not required for the house. The advantages of Stainless Steel heat exchangers are the lack of any subsequent maintenance and the compact design which, being wall mounted, takes up a minimum of space.

These heat exchangers all have a well incorporated at the top of the unit into which the probe of the Honeywell Thermostat can be inserted to sense the pool water temperature and maintain a selected pool temperature.





HE230

HE170

HE100

HESPA

Honeywell Stat

Digital Stat

Stainless Steel Heat Exchangers