

hydrostar pumps

2860 rpm



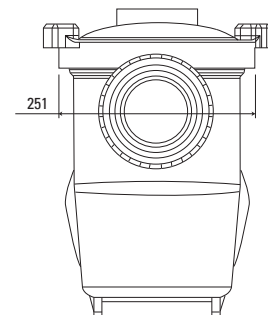
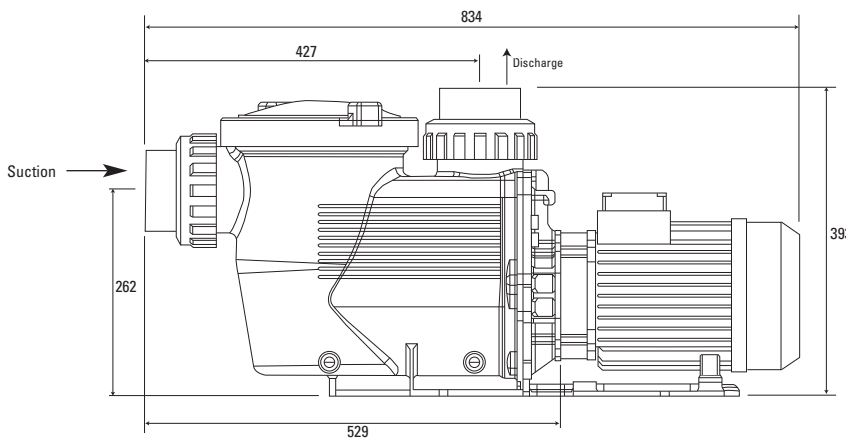
Standard Features - Hydrostar Pumps

- Composite plastic construction
- IP55 protection rating
- 2860 rpm
- 380 / 415 V - 50Hz
- Suction and discharge 3" / 90mm socket connections



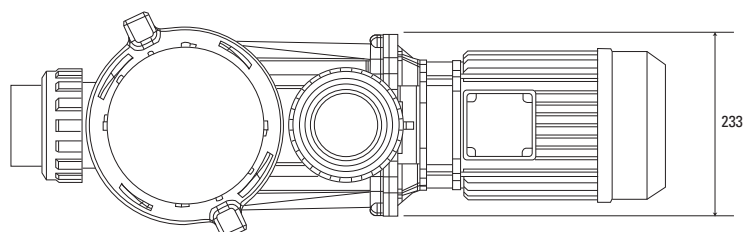
Certikin Hydrostar Commercial Pumps - 2860rpm

Code	Phase	Description	Running Current	Head (m)								
				5	8	10	12	14	16	18	20	21
WHSR043	3	4.0HP (3.0kW)	5.8 AMP	51.6	46.8	42.0	36.6	29.0	24.0	7.20	-	-
WHSR053	3	5.0HP (3.75kW)	6.0 AMP	58.0	54.0	48.6	43.2	30.5	29.0	12.0	-	-
WHSR063	3	6.0HP (4.5kW)	7.2 AMP	61.5	58.8	55.2	48.0	42.5	33.5	26.8	7.8	-
WHSR073	3	7.0HP (5.25kW)	8.3 AMP	66.0	63.0	60.0	54.0	48.0	35.0	28.0	13.5	6.0



Design improvements may invalidate the dimensions. Latest drawings are available on request

- All dimensions are in mm



heavyduty edition 3



commercial



design



performance

