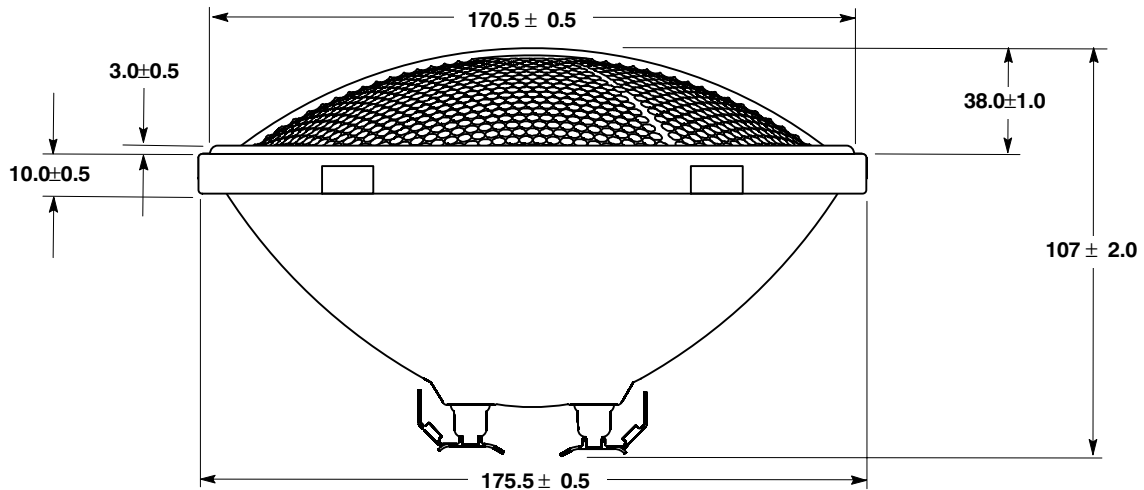




DIMENSIONS (mm)



Base type : Screw Lugs

Bulb type : PAR56 Die Cast Aluminium

LED Source : 18x 1W Cree XP-E

ELECTRICAL DATA:

		NOMINAL	MIN.	MAX.
Lamp rated wattage	(W) :	25	20	30
Lamp operating voltage	(V) :	12	10	14
Lamp current	(A) :	2.75	2.50	3.00
Power factor	(cos φ) :	0.7		

PHOTOMETRIC DATA:

		NOMINAL	MIN.	MAX.
Colour Temperature	(K) :	6000		
Colour Rendering Index	(Ra) :	75		
Luminous Flux - Total	(lm) :	1200	1080	1320
Luminous Flux - 90°cone	(lm)* :	950	855	1045
Luminous Efficacy - Total	(lm/W) :	48		
Luminous Efficacy- 90°cone	(lm/W)* :	38		
Peak Intensity	(cd) :	1500	1250	1750
Beam Angle	(°) :	40x40	35x35	45x45

* Luminous flux values measured in a solid angle of $\pi/2$ steradians (90° cone) are to be used when comparing with other light sources

OPERATING CONDITIONS:

Burning position	:	Universal
Ballast	:	Integrated electronic driver
Lamp rim temperature	(°C) :	- - 65

LAMP LIFE :

Rated average life	(h) :	>20,000
--------------------	-------	---------

APPLICATION:

Underwater lighting. IP68 construction with chlorine resistant materials.
 Not suitable for use with dimmers or electronic transformer (magnetic transformer only).
 Do not operate for extended periods unless immersed in water, for necessary cooling.
 Aluminium construction : may not be suitable for use in luminaires made of other metals.

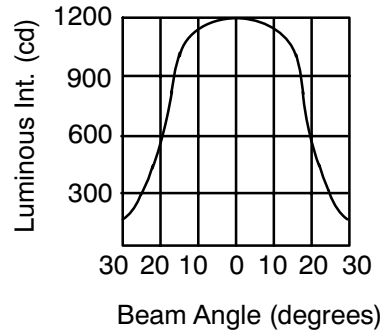
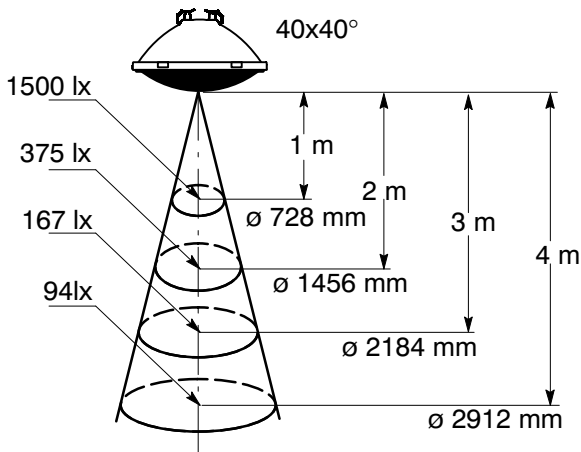
Issued by : R&D TIENEN
 Date : 04.06.2010
 Revision date :

DATA SHEET

Specification No. : 70-R56-0060524
 Supersedes :
 Page 1 of 2



BEAM DISTRIBUTION:



WIDE
FLOOD

Issued by : R&D TIENEN
Date : 04.06.2010
Revision date :

DATA SHEET

Specification No. : 70-R56-0060524
Supersedes :
Page 2 of 2