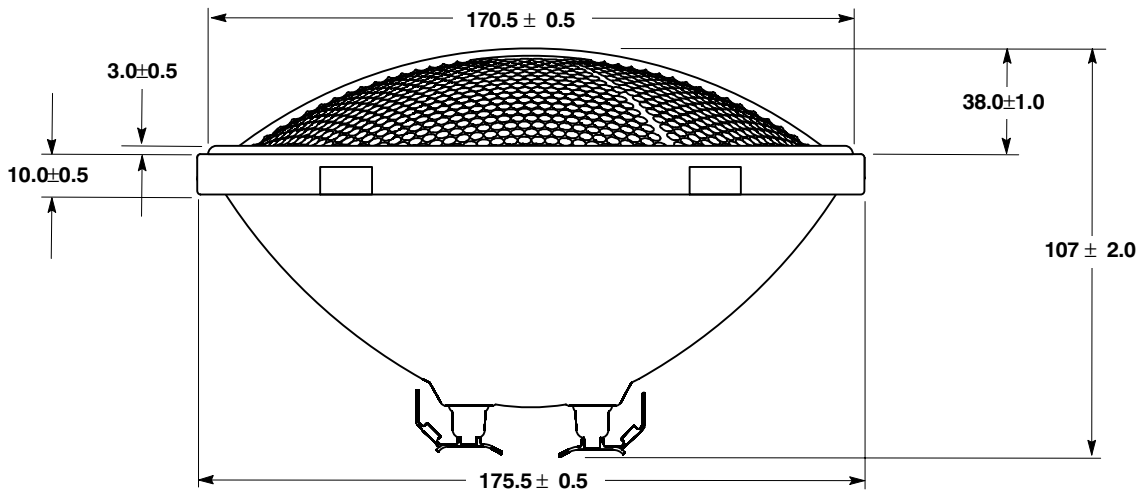




DIMENSIONS (mm)



Base type : Screw Lug
 Bulb type : PAR56 Die Cast Aluminium
 Source : 18x High Flux LEDs (RGB)

ELECTRICAL DATA:

		NOMINAL	MIN.	MAX.
Lamp rated wattage	(W) :	25.0	20.0	30.0
Lamp operating voltage	(V) :	12.0	10.0	14.0
Lamp current	(A) :	2.75	2.50	3.00
Power factor	(cos φ) :	0.8		

PHOTOMETRIC DATA*

Luminous Intensity	(cd) :	1000	800	1200
Beam angle to half peak	(°) :	30x30	25x25	35x35

* Since this is a colour changing lamp, values above indicate output when all LEDs are burning simultaneously, i.e. white mode

OPERATING CONDITIONS:

Burning position	:	Universal		
Ballast	:	Integrated electronic driver		
Lamp rim temperature	(°C) :	-	-	65
Lamp base temperature	(°C) :	-	-	50

LAMP LIFE :

Rated average life	(h) :	>20,000
--------------------	-------	---------

APPLICATION:

Underwater lighting. IP68 construction with chlorine resistant materials.
 Not suitable for use with dimmers or electronic transformer (magnetic transformer only).
 Do not operate for extended periods unless immersed in water, for necessary cooling.
 Aluminium construction : may not be suitable for use in luminaires made of other metals.

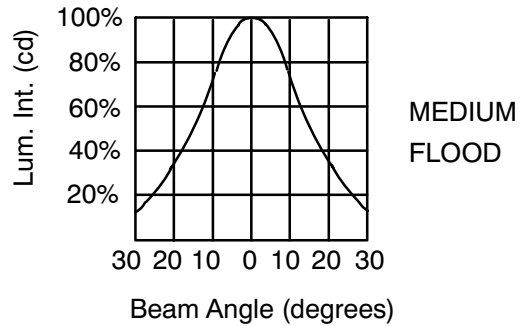
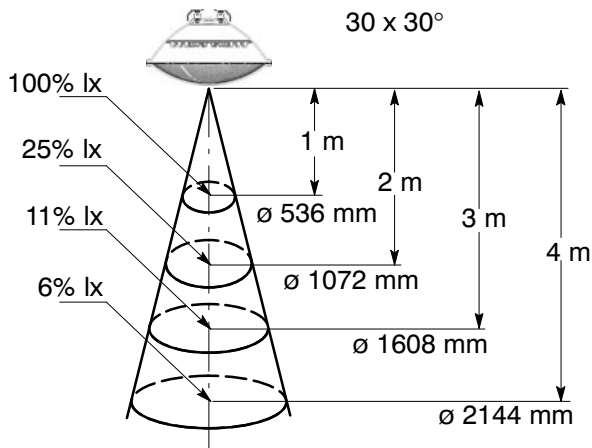
Issued by : TIENEN
 Date : 20.05.2009
 Revision date : 12.03.2010

DATA SHEET

Specification No. : 70-R56-0060526
 Supersedes : 70-350-0060525
 Page 1 of 2

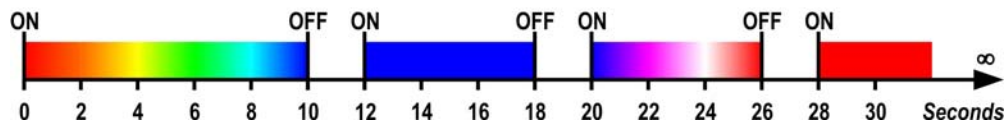
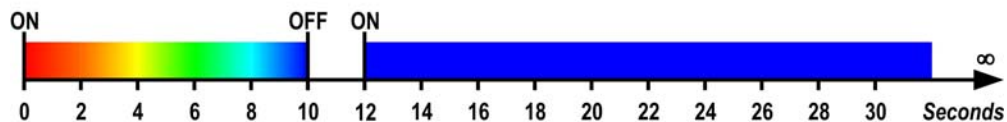
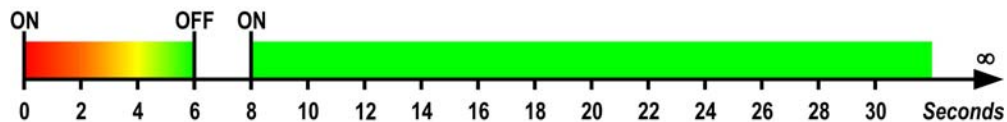
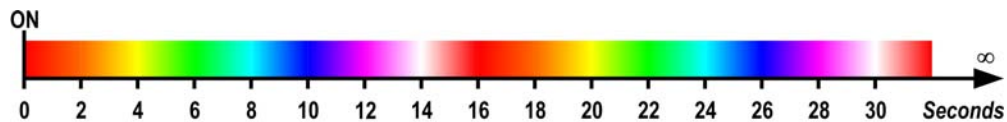


BEAM DISTRIBUTION DIAGRAM:



COLOUR CONTROL METHOD:

Switch on once and lamp will operate in colour changing mode. Switch off and back on to fix at desired colour.



Issued by : TIENEN
Date : 20.05.2009
Revision date : 12.03.2010

DATA SHEET

Specification No. : 70-R56-0060526
Supersedes : 70-350-0060525
Page 2 of 2