

hlx filter

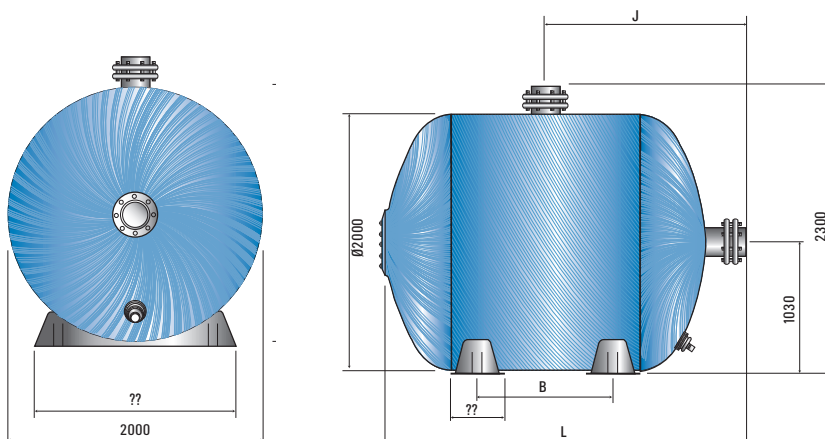
horizontal commercial bobbin wound sand filter



Dimensions & Specifications HLX Filter

Ø 2.0m with 1.0m Bed Depth

Filter Ref / Dia	Length mm	Conns mm	B mm	H mm	J mm	L mm	Flow m ³ /h	Filtration rate m ³ /h/m ²
HLX2500110	2500	110	1062	2176	1446	2700	75	15
HLX3000125	3000	125	1000	2192	1720	3228	90	15
HLX3500140	3500	140	2000	2203	1979	3740	105	15
HLX2500125	2500	125	1062	2193	1470	2727	100	20
HLX3000140	3000	140	1000	2203	1732	3240	120	20
HLX3500160	3500	160	2000	2222	2010	3770	140	20
HLX2500160	2500	160	1062	2222	1513	2770	150	30
HLX3000160	3000	160	1000	2222	1763	3270	180	30
HLX3500200	3500	200	2000	2266	2075	3835	210	30
HLX2500200	2500	200	1062	2266	1578	2835	200	40
HLX3000200	3000	200	1000	2266	1828	3335	240	40
HLX3500225	3500	225	2000	2293	1867	3875	280	40
HLX2500200	2500	200	1062	2266	1578	2835	250	50
HLX3000225	3000	225	1000	2293	1867	3375	300	50



The HLX Filter

The HLX range is manufactured with a liner employing special resins which form a watertight, anti-corrosive barrier, giving a high resistance to chemicals. Also suitable for salt water pools.

An outer fibre-glass shell is then applied to the liner, using the bobbin winding process: this gives the finished tank its final working and test ratings.

The standard filter is manufactured with a polyester shell. For ozone systems a vinylester shell is available upon request.

Includes pressure gauge panel.



Working pressure:

2.5kg/cm² / 35.56 psi / 2.45 bar



Test pressure:

3.75kg/cm² / 53.3 psi / 3.68 bar



Maximum temperature:

50°C



Available Options:

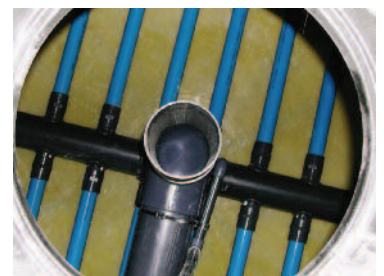
Alternative sizes. Bed depths 0.6 metre, 1.0 metre and 1.2 metre.

4 bar working pressure

Standard Features - HLX

- Polyester shell lining
- Polypropylene arm collectors
- PVC distribution pipework
- Ø400mm bolted top access hatch
- Ø400mm bolted side access hatch
- Automatic air relief valve
- Media and water drain port
- Flanged inlet and outlet connections
- Pressure gauge panel

Design improvements may invalidate the dimensions. Latest drawings are available on request



heavy duty edition 3