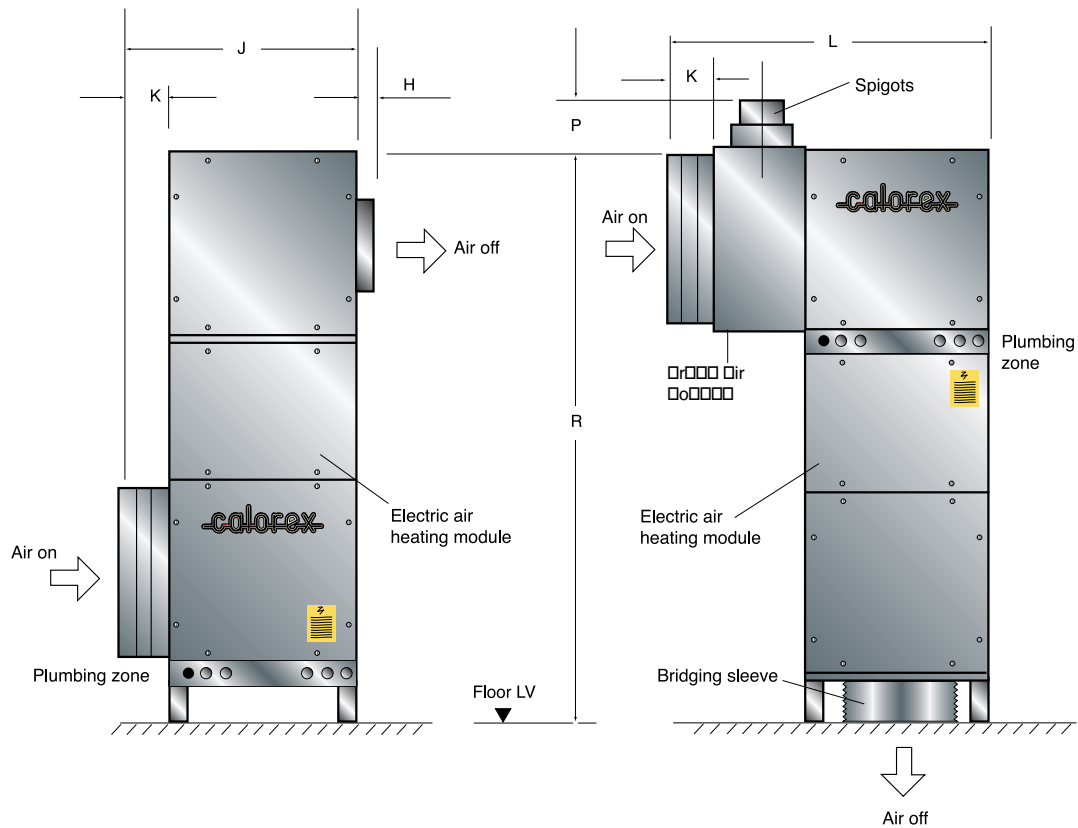
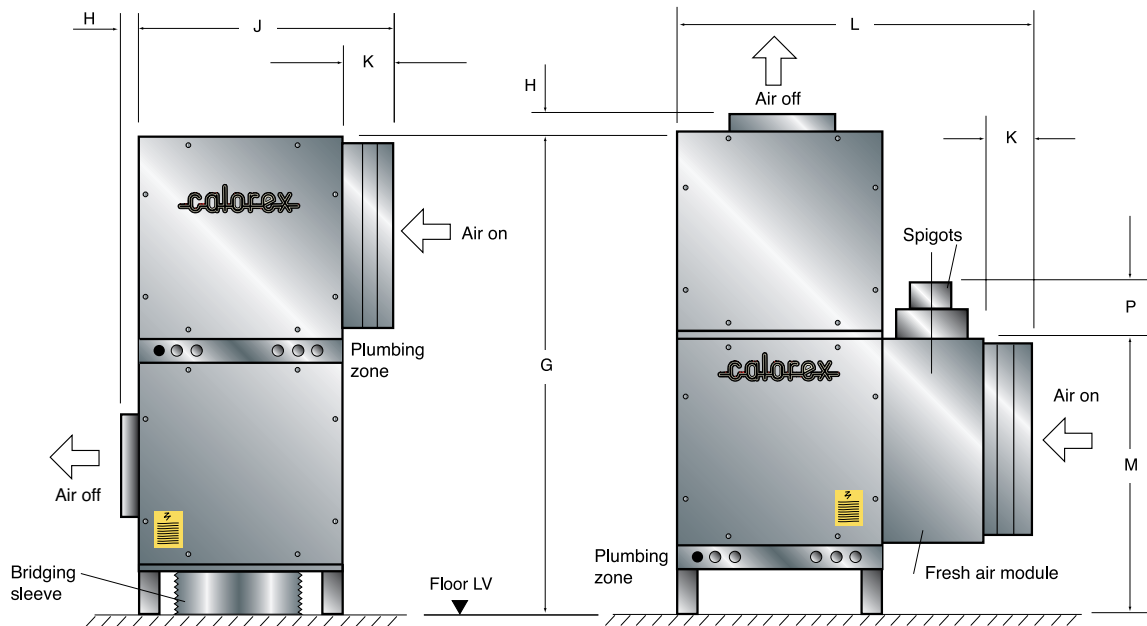


Variheat Series 3 - A Typical vertical configurations - physical dimensions.



Variheat Dimensions (in mm)

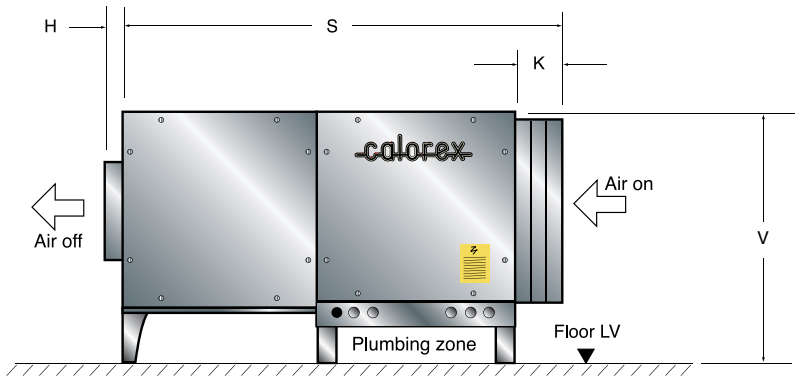
Model	G	H	J	K	L	M	P	R	Width
1500	1734	60	945	160	1300	940	186	2503	800

Note: Dimensions exclude the control panel

Note: Versions shown are only a sample of the vast number of options available. Please enquire.

A bridging sleeve is provided with all bottom outlet versions. Spigots for fresh air and exhaust are both 225mm diameter.

Variheat Series 3 - A Typical horizontal configurations - physical dimensions.



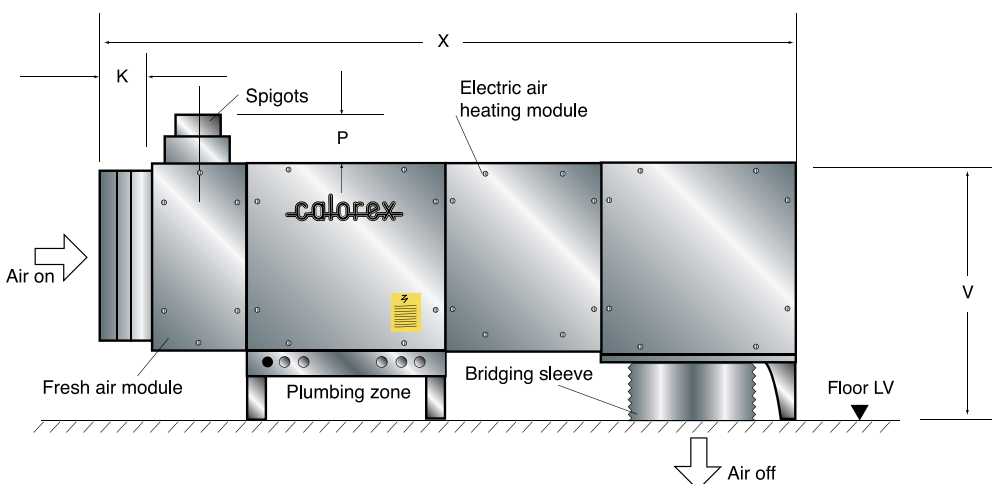
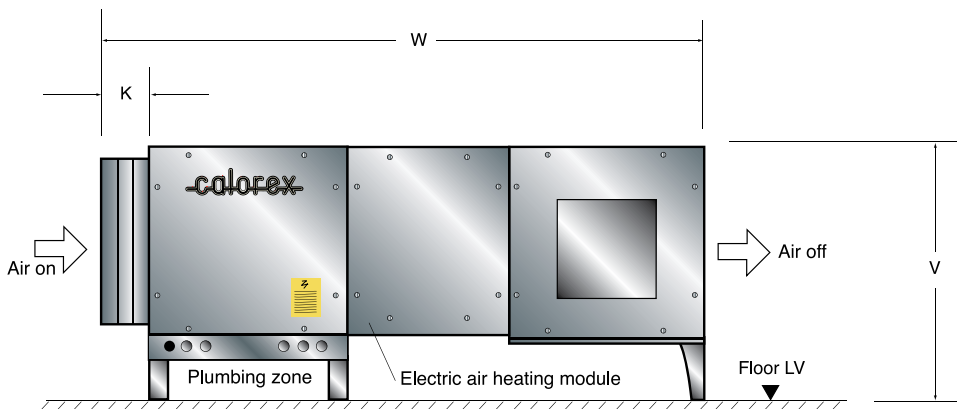
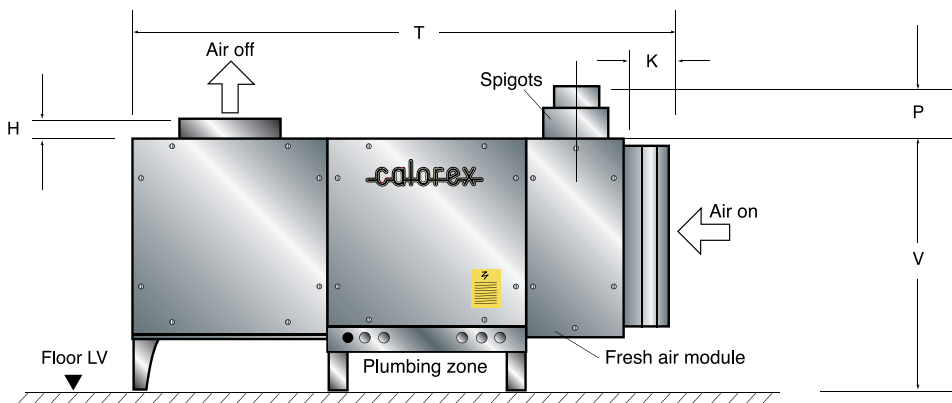
Variheat Dimensions (in mm)

Model	1500
H	60
K	160
P	186
S	1718
T	2073
V	940
W	2488
X	2843
width	800

Note: Dimensions exclude the control panel

Note: Versions shown are only a sample of the vast number of options available. Please enquire.

A bridging sleeve is provided with all bottom outlet versions. Spigots for fresh air and exhaust are both 225mm diameter.



Main Fan / Re-circulating

Re-circulating air flow - nominal (m ³ /hr)	4300
Maximum external static pressure (Pa)	350

Optional Fresh Air

Air flow- stepped control (m ³ /hr)	900
Maximum external static pressure (Pa)	100

Dehumidification Duty (l/hr) @29°C/60% rh

Total Duty By Heat Pump	10.6
-------------------------	------

Heat To Air (kW)

Via Heat Pump	14
Via LPHW @ 82°C *	26
Maximum Available Heat To Air *	40

Heat To Pool Water (kW)

Via Heat Pump	12.5
Via LPHW @ 82°C	40
Maximum Available Heat To Water	52.5

Electrical & Sound Data **

Typical Power Consumed (kW)	5.3
Fuse Required 1ph (Amp)	N/A
Max Fuse Required 3ph (Amp) Class C	16
Noise level @ 3m (dbA)	72

Plumbing Requirements (where fitted)

Pool Water Connections	1" BSPM
Pool Water Flow rate (l/min) +/-10%	40
LPHW (Boiler) Connections (mm)	1" BSPM
LPHW (Boiler) Flow Rate (l/min)	22 for air heating only
LPHW (Boiler) Flow Rate (l/min)	37 for air & water heating
Condensate Drain	3/4" BSPM
Recommended Boiler Output (kW) *	30 for air heating only
Recommended Boiler Output (kW) *	70 for air & water heating

* Electric air heating facility is available as an option. The Electric heating module can be provided with 6kW or 12kW or 18kW capacity.

** Where an Electric air heating option is fitted, supply and fuse capacities will vary accordingly.