

**Certikin**  
*brings water to life*

## **Genie Gas-Fired Condensing Heaters**



**Genie heaters use the latest technology to provide you with rapid and efficient pool and spa heating whenever you need it.**



**Manufactured  
in the UK**

## GENIE CONDENSING HEATER

**Y**our pool is a long term investment that you, and your family will enjoy for many years. This superb condensing gas heater is the perfect way to heat your pool, whilst being environmentally friendly and reducing the running costs by up to 30%.

### Features

- Available in: 36kW (122,000 btu) and 48kW (165,000btu) outputs
- Tamper proof lockable pool temperature display in °C or °F
- Up to 94% condensing efficiency equivalent to SEDBUK A
- Running costs reduced by up to 30%
- Environmentally friendly
- Modulating output for accurate temperature control and increased efficiency
- IP44 for indoor or outdoor installations
- Quiet running
- Lightweight compact design
- Pool connection left to right OR right to left side
- Simple condensate disposal connections left or right side
- Plastic flue kits, push fit horizontal and / or vertical up to 20m
- Honeywell controls
- Multiple heater kit options up to 400kW output (8 heaters)
- Wall mounting kit available
- Suitable for salt chlorinated pools



Shown with optional bracket for wall mounting.



### Installation

Practicality and flexibility are important features of any pool heater and the Genie offers both in abundance. Every heater is factory set to run on Natural Gas and the simple insertion of a special washer during installation converts to Propane Gas in minutes. All units can be installed either indoors or outdoors and a variety of flue options will cover almost any installation situation.

The plastic push fit horizontal and vertical flue systems will work on runs of up to 20 metres flue equivalent length (e.g. 1 x 90° elbow = 1.5metres) and are simple to fit.

With pool water connections on either left to right or right to left and even being suitable for wall mounting, the Genie is the most flexible pool heater available.

**“If your pool heater is over 10 years old, it’s probably not as efficient as it could be.”**

### Efficiency

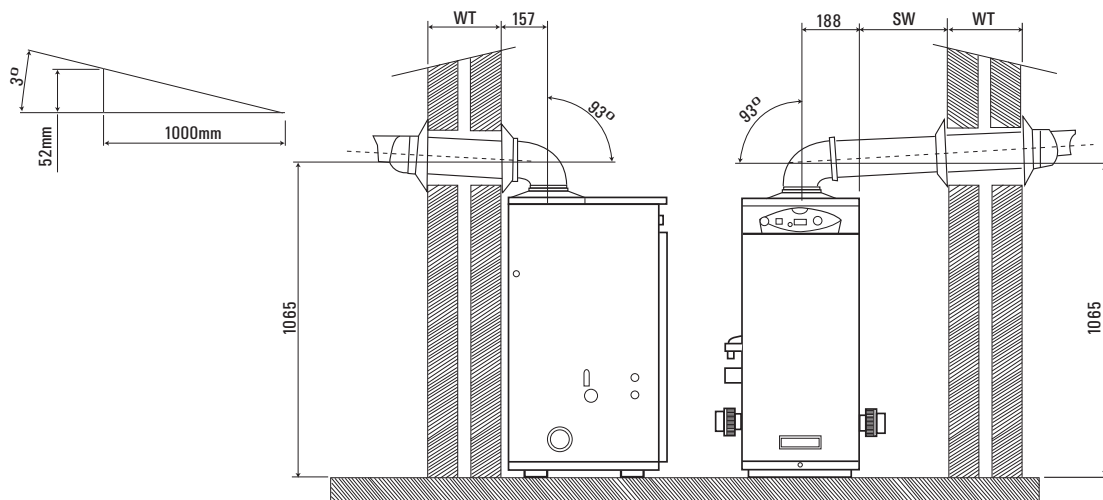
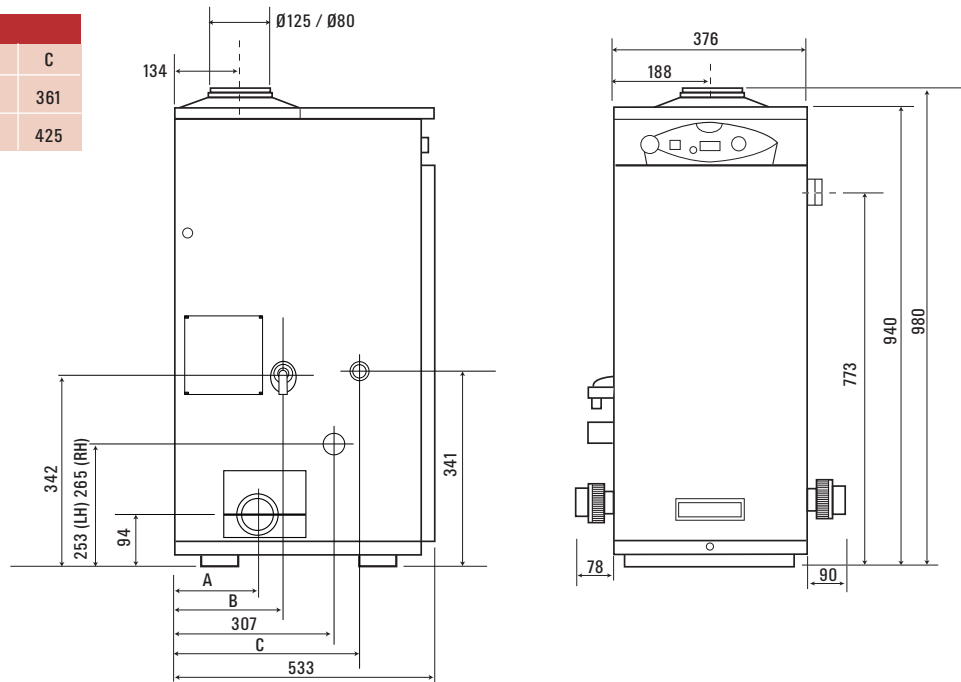
At the heart of every Genie lives a super quiet state-of-the-art ferritic steel heat engine. Using a fully modulating fan and gas valve to guarantee a precise and clean burn every time with a perfect air/fuel mixture. Condensing technology allows the Genie to perform at up to 94% efficiency ensuring that the heat goes into your pool water, not into the air.

### Reliability

Reliability is assured by the use of quality materials both inside and out. The heat engine produced in ferritic steel is designed to last and is in use in thousands of appliances throughout the world. The Genie casing is polyester coated to withstand the potentially harsh environments that it will be operating in.

The electrical and mechanical components are all proven and sourced from such industry leaders as Honeywell. Customers can rest assured that the Genie Condensing Gas Pool Heater will provide years of trouble-free, efficient heating.

Dimensions in mm			
Model	A	B	C
Genie 35	138	226	361
Genie 50	170	258	425



### *User Friendly Operation*

Simple operation via the lockable temperature control dial and large clear digital display means the customer is in full control of the pool water temperature. The Microprocessor Control System constantly monitors pressure, flow, temperature and safety to ensure accurate pool temperature is maintained.

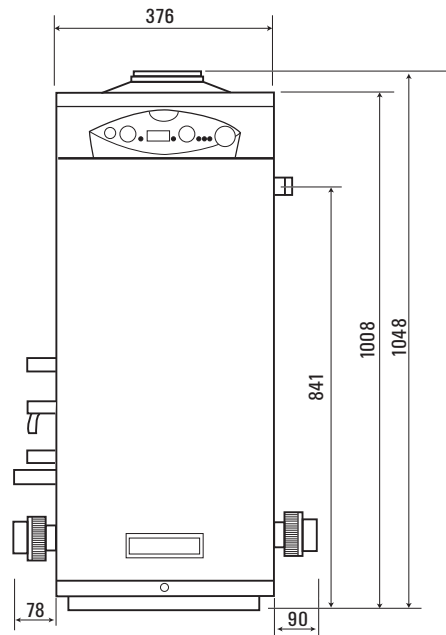
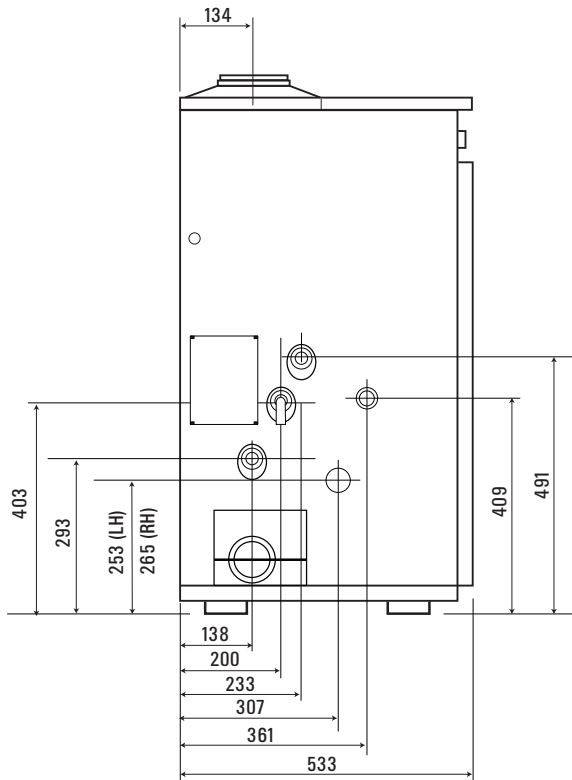
Electronic diagnostics eliminate unnecessary service calls and can direct the technician to specific systems during servicing. The Genie even features a service required indicator to advise the pool owner when a service is due.

## GENIE DUAL

The Genie **Dual** gas-fired condensing pool heater has all the features of the Genie but in addition to rapidly and efficiently heating the swimming pool water, has up to 16kW of heat available for a separate heating system. The Genie Dual comes with connections and boiler controls for heating systems such as radiators, showers via DHW cylinders or dehumidifiers with air heater batteries.

Available with 36kW (122,000btu) output for the pool water, the Genie Dual is suitable for heating the majority of domestic pools or if required more than one unit can be coupled together to produce higher output.

With 16kW available for domestic heating systems the pool hall or changing facilities will easily be heated to your requirements.



If you require further technical information please do not hesitate to contact us



**Certikin**  
brings water to life



This literature is intended as a guide. The Company reserves the right to change the specifications without notice.