

AC1-2W INSTRUCTION FOR USE

to ensure maximum performance and safety.

DESCRIPTION

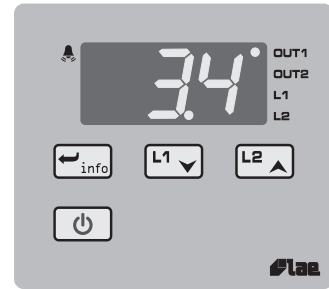


Fig.1 - Front panel

INSTALLATION

- The AC1-2W sizes 110x75x55 mm (WxHxD). Fix the plate to the panel using 2 cheese-headed screws with 4 or 5 mm diameter and then apply the instrument casing to the plate. This should be done for vertical panels and for correct positioning of the instrument with the outlets at the bottom.
- Make sure that electrical connections comply with the paragraph "wiring diagrams". To reduce the effects of electromagnetic disturbance, keep the sensor and signal cables well separate from the power wires.
- Place the probe T1 inside the room in a point that truly represents the temperature of the stored product.

OPERATION

DISPLAY

During normal operation, the display shows either the temperature measured or one of the following indications:

OFF	Controller in stand-by	E0n	Controller in autotuning
or	Probe T1 overrange or failure	E1	In tuning: timeout1 error
hi	Room high temperature alarm	E2	In tuning: timeout2 error
Lo	Room low temperature alarm	E3	In tuning: overrange error

MENU INFO

The information available in this menu is:

Eh	Maximum temperature recorded	Loc	Keypad state lock
El	Minimum temperature recorded		

Access to menu and information displayed.

- Press and immediately release button **(I)**.
- With button **(V)** or **(A)** select the data to be displayed.
- Press button **(I)** to display value.
- To exit from the menu, press button **(O)** or wait for 10 seconds.

Reset of THI, TLO recordings

- With button **(V)** or **(A)** select the data to be reset.
- Display the value with button **(I)**.
- While keeping button **(I)** pressed, use button **(O)**.

CHANNEL 1 SETPOINT (display and modification of desired temperature value)

- Press and release button **(L1)**: the LED L1 blinks, the display shows 1SP for 1 second and then the setpoint associated value.
- Press buttons **(V)** or **(A)** to set the desired value (adjustment is within the minimum SPL and maximum SPH limit).
- To store the new value press button **(O)** or wait for 10 seconds.
- To go back to normal mode without saving the new value, press **(O)**.

CHANNEL 2 SETPOINT

- With the auxiliary output set as thermostat control (OAU=THR), it's possible to modify setpoint 2 during the normal operation of the controller.
- Press and release button **(L2)**: the LED L2 blinks, the display shows 2SP for 1 second if setpoint 2 is an absolute threshold (2SM=ABS), alternatively the display shows 2DF, if setpoint 2 is a threshold relative to setpoint 1 (2SM=REL), then the value associated to the parameter appears.
- Press buttons **(V)** or **(A)** to set the desired value.
- To store the new value press button **(O)** or wait for 10 seconds.
- To go back to normal mode without saving the new value, press **(O)**.

STAND-BY

Button **(O)**, when pressed for 3 seconds, allows the controller to be in standby or output control to be resumed (with **SB=YES** only).

KEYPAD LOCK

The keypad lock avoids undesired, potentially dangerous operations, which might be attempted when the controllers is operating in a public place. In the INFO menu, set parameter **LOC=YES** to inhibit all functions of the buttons. To resume normal operation of keypad, adjust setting so that **LOC=NO**.

CONTROLLER AUTOTUNING IN PID MODE

Before starting

In the setup mode (see configuration parameters): set **1CM=PID**; make sure that **1CH** matches the desired operation mode (**1CH=REF** for refrigerating control, **1CH=HEA** for heating control); then adjust setpoint **1SP** at the desired value.

Start autotuning

During normal operation, keep buttons **(I)** + **(V)** pressed for 3 seconds. 1CT blinks on the display. With **(I)** + **(V)** or **(A)** set the cycle time in order to define the dynamic of the process to be controlled. To abort the autotuning function, press **(O)**; to start autotuning press **(V)** + **(A)** or wait for 30 seconds.

During autotuning

During the entire autotuning phase, the display alternates TUN with the actual temperature measured. In case of power failure, when power is resumed, after the initial autotest phase, the controller resumes the autotuning function. To abort the autotuning, without modifying the previous control parameters, keep button **(O)** pressed for 3 seconds. After the autotuning has taken place successfully, the controller updates the control parameters and start to control.

Errors

If the autotuning function failed, the display shows an error code:

- E1 timeout1 error: the controller could not bring the temperature within the proportional band. Increase **1SP** in case of heating control, vice versa, decrease **1SP** in case of refrigerating control and re-start the process.
- E2 timeout2 error: the autotuning has not ended within the maximum time allowed (1000 cycle times). Re-start the autotuning process and set a longer cycle time **1CT**.
- E3 temperature overrange: check that the error was not caused by a probe malfunction, then decrease **1SP** in case of heating control, vice versa increase **1SP** in case of refrigerating control and then re-start the process.
- To eliminate the error indication and return to the normal mode, press button **(O)**.

Control improvement

- To reduce overshoot, reduce the integral action reset **1AR**
- To increase the response speed of the system, reduce the proportional band **1PB**. Caution: doing this makes the system less stable.
- To reduce swings in steady-state temperature, increase the integral action time **1IT**; system stability is thus increased, although its response speed is decreased.
- To increase the speed of response to the variations in temperature, increase the derivative action time **1DT**. Caution: a high value makes the system sensitive to small variations and it may be a source of instability.

RECALIBRATION

- Have a precision reference thermometer or a calibrator to hand. Ensure that **OS1=0** and **SIM=0**.
- Switch the controller off then on again.
- During the auto-test phase, press buttons **(I)** + **(A)** and keep them pressed till the controller shows **0AD**.
- With buttons **(V)** and **(A)** select **0AD** or **SAD**: **0AD** allows a calibration of 0, inserting a constant correction over the whole scale of measurement. **SAD** allows a calibration of the top part of the measurement scale with a proportional correction between the calibration point and 0.
- Press **(I)** to display the value and then use **(I)** + **(A)** or **(V)** to make the read value coincide with the value measured by the

reference instrument.

- Exit from calibration by pressing button **(O)**.

CONFIGURATION PARAMETERS

- To get access to the parameter configuration menu, press button **(O)** + **(I)** for 5 seconds.
- With button **(V)** or **(A)** select the parameter to be modified.
- Press button **(I)** to display the value.
- By keeping button **(I)** pressed, use button **(V)** or **(A)** to set the desired value.
- When button **(I)** is released, the newly programmed value is stored and the following parameter is displayed.
- To exit from the setup, press button **(O)** or wait for 30 seconds.

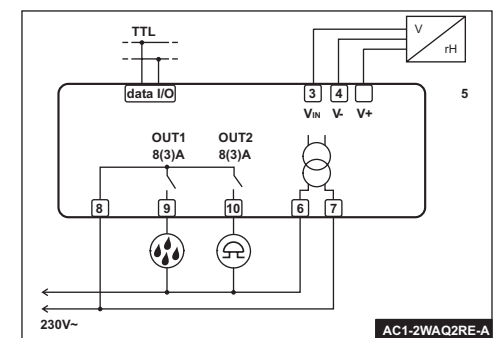
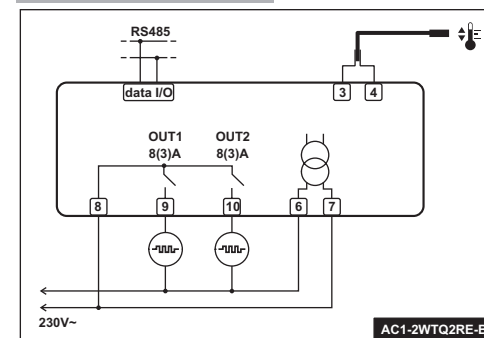
PAR	RANGE	DESCRIPTION
SCL	1°C; 2°C; °F	Readout scale (see table of input specifications) Caution: upon changing the SCL value, it is then <i>absolutely necessary to reconfigure the parameters relevant to the absolute and relative temperatures (SPL, SPH, 1SP, 1HY etc.)</i>
SPL	-50°...SPH	Minimum limit for 1SP setting
SPH	SPL...150°	Maximum limit for 1SP setting.
1SP	SPL... SPH	Setpoint (value to be maintained in the room).
1CM	HY; PID	Control mode. With 1CM=HY you select control with hysteresis: parameters 1HY, 1T0 and 1T1 are used. With 1CM=PID you select a Proportional-Integral-Derivative control mode: parameters 1PB, 1IT, 1DT, 1AR, 1CT will be used.
1CH	REF; HEA	Refrigerating (REF) or Heating (HEA) control mode.
1CM=HY	1HY	0...19.9° OFF/ON thermostat differential. With 1HY=0 the output is always off.
	1T0	0...30min Minimum off time. After output 1 has been turned off, it remains inactive for 1T0 minutes regardless of the temperature value measured.
	1T1	0...30min Minimum on time. (the following parameter will be 1PF). After output 1 has been turned on, it remains active for 1T1 minutes regardless of the temperature value measured.
1CM=PID	1PB	0...19.9° Proportional bandwidth. Temperature control takes place by changing the ON time of the output: the closer the temperature to the setpoint, the less time of activation. A small proportional band increases the promptness of response of the system to temperature variations, but tends to make it less stable. A purely proportional control stabilises the temperature within the proportional band but does not cancel the deviation from setpoint. With 1PB=0 the output is always off.
	1IT	0...999s Integral action time. The steady-state error is cancelled by inserting an integral action. The integral action time, determines the speed with which the steady-state temperature is achieved, but a high speed (1IT low) may be the cause of overshoot and instability in the response. With 1IT=0 the integral control is disabled.
	1DT	0...999s Derivative action time. Response overshoot may be reduced by inserting a derivative Action. A high derivative action (1DT high) makes the system very sensitive to small temperature variations and causes instability. With 1DT=0 the derivative control is disabled.
	1AR	0...100% Reset of integral action time referred to 1PB Decreasing the parameter 1AR reduces the integral control action zone, and consequently the overshoot (see figure on paragraph 1IT).
1CT	1...255s Cycle time. It's the period in which the output ON time changes. The quicker the system to be controlled reacts to temperature variations, the smaller the cycle time must be, in order to obtain higher temperature stability and less sensitivity to load variations.	
1PF	ON/OFF	Output state in case of probe failure.
OAU	NON; THR; AL0; AL1	AUX output operation. NON : output disabled (always off). (the next parameter will be ATM) THR : output programmed for second thermostat control (the next parameter will be 2SM). AL0 : contacts open when an alarm condition occurs (the next parameter will be ATM). AL1 : contacts make when an alarm condition occurs (the next parameter will be ATM).
OAU=THR	2SM	ABS; REL Setpoint 2 mode. Channel 2 setpoint may be absolute (2SM=ABS), or a differential relative to setpoint 1 (2SM=REL)
	2SP	SPL...SPH Auxiliary output switchover temperature (the next parameter will be 2CH)
2SM=REL	2DF	-19.9... 19.9° Temperature differential relative to 1SP. The auxiliary output setpoint is equal to 1SP+2DF

OAU=THR	2CH	REF; HEA	Refrigerating control (REF) or heating control mode (HEA) for the auxiliary output.
	2HY	0...19.9°	Differential of thermostat 2. With 2HY=0 the auxiliary output always remains off.
	2T0	0...30min	Minimum off time. After output 2 has been turned off, it remains inactive for 2T0 minutes regardless of the temperature value measured.
	2T1	0...30min	Minimum on time. After output 2 has been turned on, it remains active for 2T1 minutes regardless of the temperature value measured.
	2PF	ON/OFF	Auxiliary output state in case of probe failure.
ATM	NON; ABS; REL	Alarm threshold management. NON : all temperature alarms are inhibited (the following parameter will be SB). ABS : the values programmed in ALA and AHA represent the real alarm thresholds. REL : the values programmed ALR and AHR are alarm differentials referred to 1SB and 1SP+1HY 	
ATM=ABS	ALA	-50°...AHA	Low temperature alarm threshold.
	AHA	ALA...150°	High temperature alarm threshold.
ATM=REL	ALR	-12.0...0°	Low temperature alarm differential. With ALR=0 the low temperature alarm is excluded.
	AHR	0...12.0°	High temperature alarm differential. With AHR=0 the high temperature alarm is excluded.
ATD	0...120min	Delay before alarm temperature warning.	
SB	NO/YES	Stand-by button enabling.	
INP	ST1/SN4	Sensor input selection (see table of input specifications). <i>In the models AC1-2WT... only.</i>	
RLO	-19.9...RHI	Minimum range value (in the models AC1-2WA... only) RLO takes the minimum value measured by the transmitter (i.e. the value matching 0V).	
RHI	RLO...99.9	Maximum range value (in the models AC1-2WA... only) RHI takes the maximum value measured by the transmitter (i.e. the value matching 1V)	
OS1	-12.5...12.5°	Probe T1 offset.	
TLD	1...30min	Delay for minimum temperature (TLO) and maximum temperature (THI) logging.	
SIM	0...100	Display slowdown	
ADR	1...255	AC1-2W address for PC communication	

INPUT SPECIFICATIONS

MODEL	INPUT	RANGE [MEASUREMENT ACCURACY]		
		SCL=1°C	SCL=2°C	SCL=°F
AC1-2WA..	0+1V	RLO+RHI [$\pm 3\text{mV}$]		
AC1-2WT...	INP=ST1	PTC 1000 Ω (LAE ST1..)	-50/-19.9 + 99.9/150°C [$\pm 0.3^\circ\text{C}(-30+130^\circ), \pm 1^\circ\text{C}$]	-50 + 150°C [$\pm 0.3^\circ\text{C}(-30+130^\circ), \pm 1^\circ\text{C}$]
	INP=SN4	NTC 10K Ω (LAE SN4..)	-40/-19.9 + 99.9/125°C [$\pm 0.3^\circ\text{C}(-40+100^\circ), \pm 1^\circ\text{C}$]	-40 + 125°C [$\pm 0.3^\circ\text{C}(-40+100^\circ), \pm 1^\circ\text{C}$]

WIRING DIAGRAMS



HeatPumps
4Pools

TECHNICAL DATA

Power supply

AC1-2W...D	12Vac/dc $\pm 10\%$, 2W
AC1-2W...E	230Vac $\pm 10\%$, 50/60Hz, 2W
AC1-2W...U	115Vac $\pm 10\%$, 50/60Hz, 2W

Relay outputs (AC1-2W..R..)

OUT1	8(3)A
OUT2	8(3)A

SSR drive (AC1-2W..F..)

OUT1	15mA 12Vdc
OUT2	15mA 12Vdc

Inputs

see table of input specifications

Measurement range

see table of input specifications

Measurement accuracy

see table of input specifications

Operating conditions

-10 ... +50°C; 15%...80% r.H.

CE (Reference Norms)

EN60730-1; EN60730-2-9;
EN55022 (Class B); EN50082-1

Front protection

IP55

lae
ELECTRONIC

VIA PADOVA, 25
31046 ODERZO /TV /ITALY
TEL. +39 - 0422 815320
FAX +39 - 0422 814073
www.lae-electronic.com
E-mail: sales@lae-electronic.com

AC1-2W ISTRUZIONI D'USO

Vi ringraziamo per la preferenza accordata scegliendo un prodotto LAE electronic. Prima di procedere all'installazione dello strumento, leggete attentamente il presente foglio di istruzioni: solo così potrete ottenere massime prestazioni e sicurezza.

DESCRIZIONE

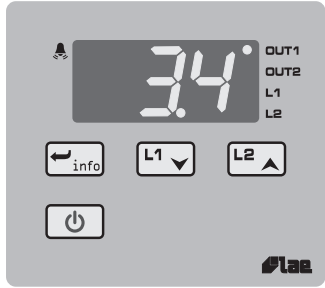


Fig.1 - Pannello frontale

INSTALLAZIONE

- AC1-2W ha dimensioni 110x75x55 mm (LxHxP). Fissare al pannello la placca con 2 viti da 4 o 5 mm di diametro con testa cilindrica, applicare poi il corpo dello strumento alla placca. Questo fissaggio è indicato per pannelli verticali e per un orientamento dello strumento con le uscite poste in basso.
- Eseguire i collegamenti elettrici facendo riferimento al paragrafo "schemi di collegamento". Per ridurre gli effetti delle perturbazioni elettromagnetiche, distanziare i cavi delle sonde e di segnale dai conduttori di potenza.
- Posizionare la sonda T1 in un punto della cella che ben rappresenti la temperatura del prodotto da conservare.

FUNZIONAMENTO

VISUALIZZAZIONI

In funzionamento normale sul display viene visualizzata la temperatura rilevata oppure una delle indicazioni seguenti:

oFF	Strumento in stand-by	EUn	Strumento in autotuning
or	Over range o rottura sonda T1	E1	In tuning: errore di timeout1
hi	Allarme alta temperatura	E2	In tuning: errore di timeout2
Lo	Allarme di bassa temperatura	E3	In tuning: errore di over range

MENU INFO

Le informazioni disponibili nel menù info sono:

Eh	Temperatura massima registrata sonda 1	Loc	Stato della tastiera (blocco)
Elo	Temperatura minima registrata sonda 1		

Accesso al menù e visualizzazione informazioni.

- Premere e subito rilasciare il tasto **[I]**.
- Con i tasti **[V]** o **[A]** selezionare il dato da visualizzare.
- Premere il tasto **[I]** per visualizzare il valore.
- Per uscire dal menù, premere il tasto **[E]** o attendere 10 secondi.

Reset delle memorizzazioni THI, TLO

- Con i tasti **[V]** o **[A]** selezionare il dato da resettare.
- Visualizzare il valore con il tasto **[I]**.
- Mantenendo premuto il tasto **[I]** premere il tasto **[E]**.

SETPOINT CANALE 1 (visualizzazione e modifica valore di temperatura desiderato)

- Premere e rilasciare il tasto **[L1]**: il led L1 lampeggia, il display visualizza per 1 secondo 1SP quindi il valore associato al setpoint.
- Agire con i tasti **[V]** o **[A]** per impostare il valore desiderato (la regolazione è compresa entro il limite minimo **SPL** e massimo **SPH**).
- Per memorizzare il nuovo valore premere il tasto **[E]**, o attendere 10s.
- Per ritornare in modalità normale senza salvare il nuovo valore premere **[E]**.

SETPOINT CANALE 2

- con l'uscita ausiliaria impostata come termostato (**OAU=THR**), è possibile modificare il setpoint 2 durante il funzionamento normale del regolatore.
- premere e rilasciare il tasto **[L2]** il led L2 lampeggia, il display visualizza per 1 secondo 2SP, se il setpoint 2 è impostato in modo assoluto (**2SM=ABS**), oppure visualizza 2DF, se il setpoint 2 è relativo al setpoint 1 (**2SM=REL**), quindi il valore associato al parametro.
- agire con i tasti **[V]** o **[A]** per impostare il valore desiderato.
- per memorizzare il nuovo valore premere il tasto **[E]**, o attendere 10s.
- per ritornare in modalità normale senza salvare il nuovo valore premere **[E]**.

STAND-BY

Il tasto **[E]**, premuto per 3 secondi, consente di commutare lo stato del regolatore fra operatività delle uscite e standby (solo con **SB=YES**).

BLOCCO DELLA TASTIERA

Il blocco dei tasti impedisce operazioni indesiderate, potenzialmente dannose, che possono avvenire qualora il regolatore operi in ambiente pubblico. Per inibire tutti i comandi da tastiera impostare **LOC=YES** nel menù INFO; per ripristinare la normale funzionalità riprogrammare **LOC=NO**.

AUTOTUNING DEL REGOLATORE IN MODALITA' PID

Prima di iniziare

In modalità setup (v. parametri di configurazione): impostare **1CM=PID**; accertarsi che **1CH** corrisponda al modo di funzionamento voluto (**1CH=REF** per refrigerazione, **1CH=HEA** per riscaldamento); fissare il setpoint **1SP** al valore desiderato.

Avvio della funzione

Durante il funzionamento normale, mantenere premuti i tasti **[I]** + **[V]** per 3 secondi. Sul display lampeggia 1CT; con **[I]** + **[V]** o **[A]** impostare il tempo di ciclo in modo da caratterizzare la dinamica del processo da controllare. Per abbandonare la funzione di autotuning premere **[E]**; per iniziare l'autotuning premere **[V]** + **[A]** o attendere 30s.

Durante l'autotuning

Durante tutta la fase di autotuning il display visualizza alternativamente TUN e il valore della temperatura misurata. Se manca l'alimentazione, alla successiva riaccensione, dopo la fase iniziale di autotest, lo strumento riprende la funzione di autotuning. Per abbandonare la funzione di autotuning, senza modificare i parametri di controllo, mantenere premuto per 3 secondi il tasto **[E]**. Terminato con successo l'autotuning il controllore aggiorna il valore dei parametri di controllo, e inizia a regolare.

Errori

Se la funzione di autotuning non ha esito positivo, sul display lampeggia un codice d'errore:

- E1 errore di timeout1: il controllore non è riuscito a portare la temperatura all'interno della banda proporzionale. Aumentare **1SP** nel caso di controllo in riscaldamento, viceversa, diminuire **1SP** in raffreddamento e riavviare la procedura.
- E2 errore di timeout2: l'autotuning non è terminato entro il tempo massimo stabilito (1000 tempi di ciclo). Riavviare la procedura di autotuning e impostare un tempo di ciclo maggiore.
- E3 over range di temperatura: controllare che l'errore non sia causato da un'anomalia della sonda, quindi diminuire **1SP** nel caso di controllo in riscaldamento, viceversa aumentare **1SP** in raffreddamento e riavviare la procedura.
- Per eliminare l'indicazione d'errore e ritornare in modalità normale premere il tasto **[E]**.

Miglioramento del controllo

- per ridurre la sovraelongazione diminuire il reset dell'azione integrativa **1AR**;
- per aumentare la prontezza del sistema diminuire la banda proporzionale **1PB**; attenzione: in tale maniera si porta il sistema ad essere meno stabile (oscillazione della temperatura);
- per ridurre le oscillazioni della temperatura a regime aumentare il tempo dell'azione integrativa **1IT**; si aumenta così la stabilità del sistema, ma si diminuisce la sua prontezza di risposta;
- per aumentare la velocità di risposta alle variazioni di temperatura aumentare il tempo dell'azione derivativa **1DT**; attenzione: un valore elevato rende il sistema sensibile alle piccole variazioni e può essere fonte di instabilità.

RICALIBRAZIONE

- munirsi di un termometro di precisione o di un calibratore; verificare che **OS1=0** e **SIM=0**;
- spegnere e riaccendere lo strumento;
- durante la fase di autotest premere i tasti **[I]** + **[A]** e mantenerli premuti fino a che lo strumento visualizza **0AD**;
- con i tasti **[V]** e **[A]** selezionare **0AD** o **SAD**: **0AD** consente la taratura dello 0, inserendo una correzione costante su tutta la scala di misura. **SAD** permette la taratura della parte alta della scala di misura con una correzione proporzionale fra il punto di taratura e lo 0;
- premere **[I]** per visualizzare il valore e agire con **[I]** + **[A]** o **[V]** per far coincidere il valore letto con quello misurato dallo

strumento di riferimento;

- l'uscita dalla calibrazione si ha premendo il tasto **[E]**.

PARAMETRI DI CONFIGURAZIONE

- Per accedere al menù di configurazione dei parametri, premere per 5 secondi i tasti **[E]** + **[I]**.
- Con i tasti **[V]** o **[A]** selezionare il parametro da modificare.
- Premere il tasto **[I]** per visualizzare il valore.
- Mantenendo premuto **[I]** agire con i tasti **[V]** o **[A]** per impostare il valore desiderato.
- Al rilascio del tasto **[I]** il nuovo valore viene memorizzato e viene visualizzato il parametro successivo.
- Per uscire dal setup premere il tasto **[E]** o attendere 30 secondi.

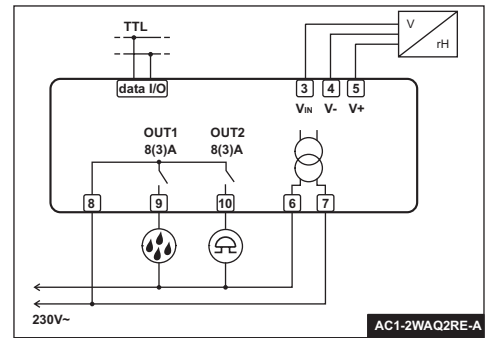
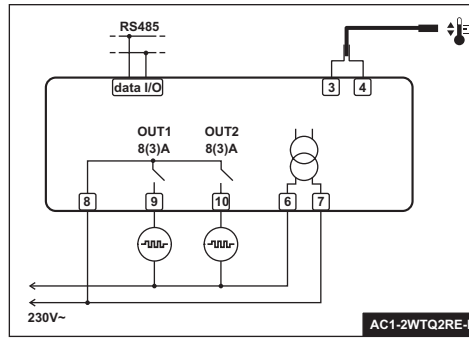
PAR	RANGE	DESCRIZIONE
SCL	1°C; 2°C; °F	Scala di lettura (vd. tabella caratteristiche ingresso) Attenzione: cambiando il valore di SCL vanno assolutamente riconfigurati i parametri riguardanti le temperature assolute e relative (SPL, SPH, 1SP, 1HY ecc..)
SPL	-50°...SPH	Limite minimo per la regolazione di 1SP.
SPH	SPL...150°	Limite massimo per la regolazione di 1SP.
1SP	SPL... SPH	Temperatura di commutazione (valore che si desidera mantenere).
1CM	HY; PID	Modalità di controllo. Con 1CM=HY si seleziona la regolazione con isteresi: nel controllo vengono usati i parametri 1HY , 1T0 e 1T1 . Con 1CM=PID si seleziona la regolazione Proporzionale-Integrativa-Derivativa: nel controllo vengono usati i parametri 1PB , 1IT , 1DT , 1AR , 1CT .
1CH	REF; HEA	Modo di regolazione refrigerazione (REF) o riscaldamento (HEA) dell'uscita 1.
1CM=HY	1HY	0...19.9° Differenziale del termostato. Con 1HY=0 l'uscita rimane sempre spenta.
	1T0	0...30min Tempo minimo di spegnimento Dopo uno spegnimento, l'uscita 1 rimane disattivata per 1T0 minuti indipendentemente dal valore della temperatura.
	1T1	0...30min Tempo minimo di attivazione. (<i>Il parametro successivo sarà 1PF</i>) Dopo una accensione, l'uscita 1 rimane attivata per 1T1 minuti indipendentemente dal valore della temperatura.
1CM=PID	1PB	0...19.9° Banda proporzionale. Il controllo della temperatura avviene variando il tempo di ON dell'uscita: più la temperatura è vicina al setpoint, minore è il tempo di attivazione. Una banda proporzionale piccola aumenta la prontezza del sistema alle variazioni di temperatura, ma tende a renderlo meno stabile. Un controllo puramente proporzionale stabilizza la temperatura all'interno della banda proporzionale, ma non annulla lo scostamento dal setpoint. Con 1PB=0 l'uscita rimane sempre spenta.
	1IT	0...999s Tempo dell'azione integrativa. L'inserimento di un'azione integrativa annulla l'errore a regime. Il tempo dell'azione integrativa determina la velocità con cui si raggiunge la temperatura di regime, ma un'elevata velocità (1IT basso) può essere causa di sovraelongazione e di instabilità nella risposta. Con 1IT=0 il controllo integrativo viene disabilitato.
	1DT	0...999s Tempo dell'azione derivativa. L'inserimento di un'azione derivativa diminuisce la sovraelongazione nella risposta. Un'azione derivativa elevata (1DT alto) rende il sistema molto sensibile alle piccole variazioni di temperatura, e può portare instabilità. Con 1DT=0 il controllo derivativo viene disabilitato.
	1AR	0...100% Reset dell'azione integrativa riferito a 1PB. Diminuendo il parametro 1AR si restringe la zona di azione del controllo integrativo, e di conseguenza la sovraelongazione (vedi figura nel parametro 1IT).
	1CT	1...255s Tempo di ciclo. E' il periodo all'interno del quale varia il tempo di ON dell'uscita. Quanto più velocemente il sistema da controllare risponde alle variazioni della temperatura, tanto minore deve essere il tempo di ciclo, per ottenere una maggiore stabilità della temperatura, e una minore sensibilità alle variazioni di carico.
	1PF	ON/OFF Stato dell'uscita con sonda difettosa.
OAU	NON; THR; AL0; AL1	Funzionamento dell'uscita ausiliaria AUX. NON : uscita disabilitata (sempre spenta). (<i>Il prossimo parametro sarà ATM</i>), THR : uscita programmata come secondo termostato. (<i>Il prossimo parametro sarà 2SM</i>) AL0 : apertura dei contatti al presentarsi di una condizione di allarme. (<i>Il prossimo parametro sarà ATM</i>) AL1 : chiusura dei contatti al presentarsi di una condizione di allarme. (<i>Il prossimo parametro sarà ATM</i>)
OAU=THR	2SM	ABS; REL Modalità setpoint 2. Il setpoint del canale 2 può essere assoluto (2SM=ABS), o un differenziale relativo al setpoint 1 (2SM=REL)
	2SP	SPL...SPH Temperatura di commutazione dell'uscita ausiliaria (<i>Il prossimo parametro sarà 2CH</i>)
	2DF	-19.9...19.9° Differenziale di temperatura rispetto a 1SP. Il setpoint dell'uscita ausiliaria è pari a 1SP+2DF.

OAU=THR	2CH	REF; HEA	Modo di regolazione refrigerazione (REF) o riscaldamento (HEA) per l'uscita ausiliaria
	2HY	0...19.9°	Differenziale del termostato 2. Con 2HY=0 l'uscita ausiliaria rimane sempre spenta.
	2T0	0...30min	Tempo minimo di spegnimento. Dopo uno spegnimento, l'uscita 2 rimane disattivata per 2T0 minuti indipendentemente dal valore della temperatura.
	2T1	0...30min	Tempo minimo di attivazione Dopo una accensione, l'uscita 2 rimane attivata per 2T1 minuti indipendentemente dal valore della temperatura.
	2PF	ON/OFF	Stato dell'uscita 2 con sonda difettosa
ATM	NON; ABS; REL	Gestione soglie allarme. NON : tutti gli allarmi di temperatura sono interdetti. (<i>Il successivo parametro visualizzato sarà SB</i>) ABS : i valori programmati in ALA e AHA rappresentano le reali soglie d'allarme REL : i valori programmati in ALR e AHR sono i differenziali d'allarme rispetto a 1SP e 1SP+1HY 	
	ALA	-50°...AHA	Soglia d'allarme di bassa temperatura
ATM=ABS	AHA	ALA...150°	Soglia d'allarme di alta temperatura
	ALR	-12.0...0°	Differenziale d'allarme di bassa temperatura. Con ALR=0 l'allarme di bassa temperatura viene escluso.
ATM=REL	AHR	0...12.0°	Differenziale d'allarme di alta temperatura. Con AHR=0 l'allarme di alta temperatura viene escluso.
	ATD	0...120min	Ritardo nella segnalazione dell'allarme di temperatura.
SB	NO/YES	Abilitazione tasto stand-by.	
INP	ST1/SN4	Selezione del sensore in ingresso. (vd. tabella caratteristiche ingresso) <i>Solo nei modelli AC1-2WT...</i>	
RLO	-19.9...RHI	Range minimo della scala (<i>solo nei modelli AC1-2WA...</i>) Ad RLO viene assegnato il valore minimo misurato dal trasmettitore (corrispondente a 0V)	
RHI	RLO...99.9	Range massimo della scala (<i>solo nei modelli AC1-2WA...</i>) Ad RHI viene assegnato il valore massimo misurato dal trasmettitore (corrispondente a 1V)	
OS1	-12.5...12.5°	Correzione misura sonda T1	
TLD	1...30min	Ritardo della memorizzazione delle temperature minime (TLO) e massime (THI) raggiunte.	
SIM	0...100	Rallentamento display	
ADR	1...255	Indirizzo di AC1-2W per la comunicazione con PC	

CARATTERISTICHE INGRESSO

MODELLO	INGRESSO	RANGE DI MISURA [PRECISIONE DI MISURA]		
		SCL=1°C	SCL=2°C	SCL=°F
AC1-2WA..	0+1V	RLO+RHI [$< \pm 3mV$]		
AC1-2WT..	INP=ST1	PTC 1000 Ω (LAE ST1..) -50/-19.9 + 99.9/150°C [$\pm 0.3^\circ C(-30+130^\circ), \pm 1^\circ C$]	-50 + 150°C [$\pm 0.3^\circ C(-30+130^\circ), \pm 1^\circ C$]	-60 + 300°F [$\pm 0.6^\circ F(-20+260^\circ), \pm 2^\circ F$]
	INP=SN4	NTC 10K Ω (LAE SN4..) -40/-19.9 + 99.9/125°C [$\pm 0.3^\circ C(-40+100^\circ), \pm 1^\circ C$]	-40 + 125°C [$\pm 0.3^\circ C(-40+100^\circ), \pm 1^\circ C$]	-40 + 260°F [$\pm 0.6^\circ F(-40+210^\circ), \pm 2^\circ F$]

SCHEMI DI COLLEGAMENTO



AC1-2W



INSTRUCTIONS FOR USE

ISTRUZIONI D'USO



VIA PADOVA, 25
31046 ODERZO /TV /ITALY
TEL. +39 - 0422 815320
FAX +39 - 0422 814073
www.lae-electronic.com
E-mail: sales@lae-electronic.com

DATI TECNICI

Alimentazione
AC1-2W...D 12Vac/dc $\pm 10\%$, 2W
AC1-2W...E 230Vac $\pm 10\%$, 50/60Hz, 2W
AC1-2W...U 115Vac $\pm 10\%$, 50/60Hz, 2W

Uscite relè (AC1-2W.R..)

OUT1 8(3)A
OUT2 8(3)A

Pilotaggio SSR (AC1-2W.F..)

OUT1 15mA 12Vdc
OUT2 15mA 12Vdc

Ingressi

vd. tabella caratteristiche ingresso

Range di Misura

vd. tabella caratteristiche ingresso

Precisione di misura

vd. tabella caratteristiche ingresso

Condizioni operative

-10 ... +50°C; 15%...80% U.R.

CE (Norme di Riferimento)

EN60730-1; EN60730-2-9;
EN55022 (Classe B); EN50082-1

Protezione frontale

IP55

AC1-2W

INSTRUCTIONS FOR USE

EN

ISTRUZIONI D'USO

IT

0LAC1003-05