

Pumps PL

SMALL PUMP FOR OUTSTANDING RESULTS!



High-performance



Silent operation



Above-ground and in-ground pools up to 68 m³



Wide range



230 V-50Hz
SINGLE

ASSETS

- High-performance for everyone
Incomparable quality for an unbeatable price!
A compact pump that will meet all your needs
- Silent operation
Produces no noise disturbance
- Ideal for small pools and above-ground pools up to 68 m³

IDEAL FOR SMALL AND MID SIZE POOLS

- Easy maintenance thanks to its transparent cover and large strainer
- Winterize your pump in a single movement using its drain plug
- Easy installation (fittings included with the pump)
- Compatible with water treatment by salt chlorination
- Pump shaft in stainless steel
- 50 mm outlet or \varnothing 32/38 mm fluted adapters
- Self-priming pump with fully enclosed, ventilated engine
- Wide range available, single-phase 0.25 to 1.5 HP



- 50 mm outlet or \varnothing 32/38 mm fluted adapters

- Easy-open strainer thanks to its twist-lock cover

- Drain release plug for easy winterizing

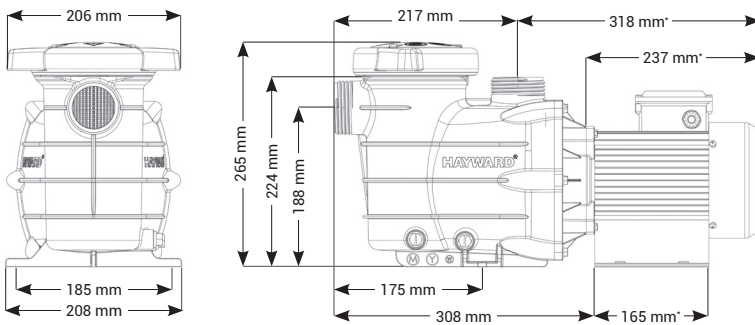


Item	Power	Flow Rate*	IN/OUT	Weight	Input Power P1	Output Power P2	Amperage	Gencod
------	-------	------------	--------	--------	----------------	-----------------	----------	--------

SINGLE PHASE PUMP PL

81002	0.25 HP	5.4 m³/h	50 mm or 32/38 mm	7.68 kg	380	300	1.6 A	0610377237031
81003	0.33 HP	7.3 m³/h	50 mm or 32/38 mm	7.76 kg	470	320	2 A	0610377237048
81004	0.5 HP	10.8 m³/h	50 mm or 32/38 mm	8.65 kg	610	560	2.6 A	0610377237055
81005	0.75 HP	13 m³/h	50 mm or 32/38 mm	9.16 kg	790	610	3.4 A	0610377237062
81006	1 HP	15 m³/h	50 mm or 32/38 mm	9.16 kg	920	730	4 A	0610377237079
81007	1.5 HP	17.2 m³/h	50 mm or 32/38 mm	11.3 kg	1110	900	4.8 A	0610377274210

* under 8 m water column pressure



Technical Specifications

Max. water temp.	35°C
Adapter	32/38 mm
Mechanical seal	AISI 304, suitable for salt water
Motor specifications	Class F, IP55, 50Hz, 2 Poles
Housing/impeller/strainer/lid	PP+GF/Noryl® + GF/ABS/PC

Pressure (mbar)

