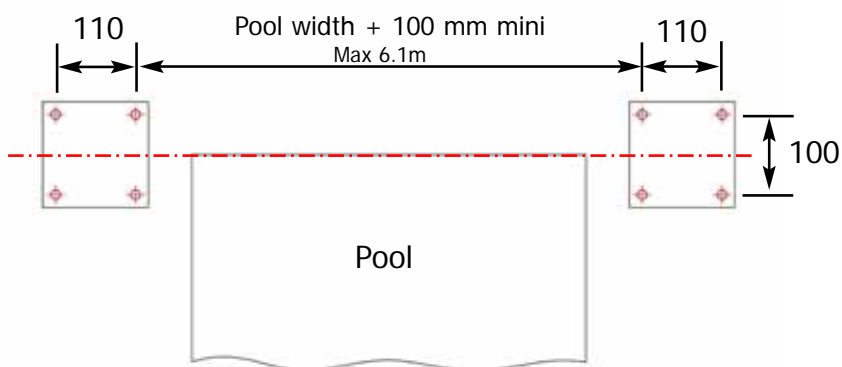


1 - Supports installation

Mark the location of screws on the ground.
Fix the supports with the screws provided.
Make sure that the stands are square to each other and to the pool.
Please Note: Maximum pool width is 6m



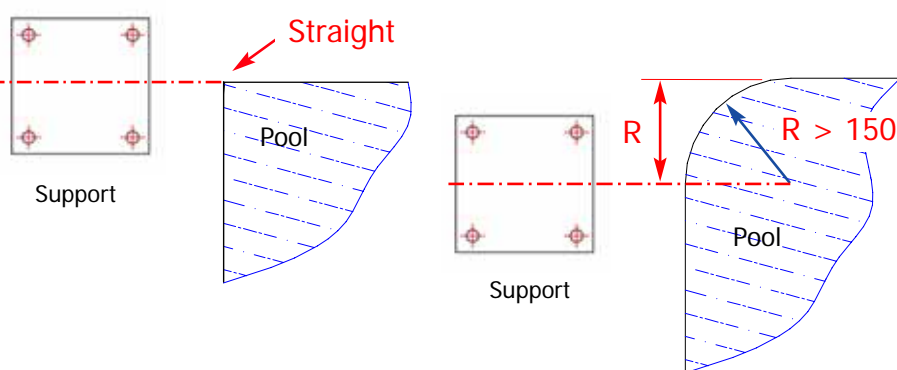
Straight radius

The centre line of the supports must be in line with the end of the pool copings.

Radius corners

The centre line of the supports must be on a line across the pool where the radius of the corners commence.

(to avoid any rubbing of the cover on the coping stones.)



2 - Telescopic tube installation

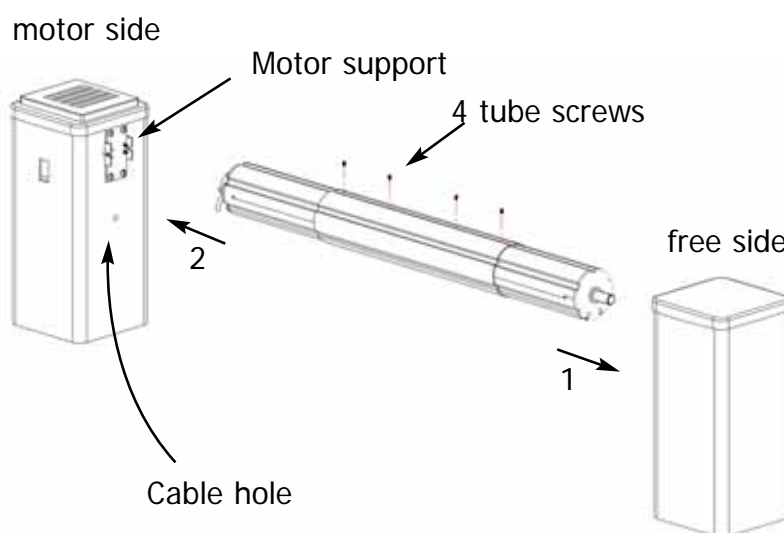
Insert the tube axle into the free side support.

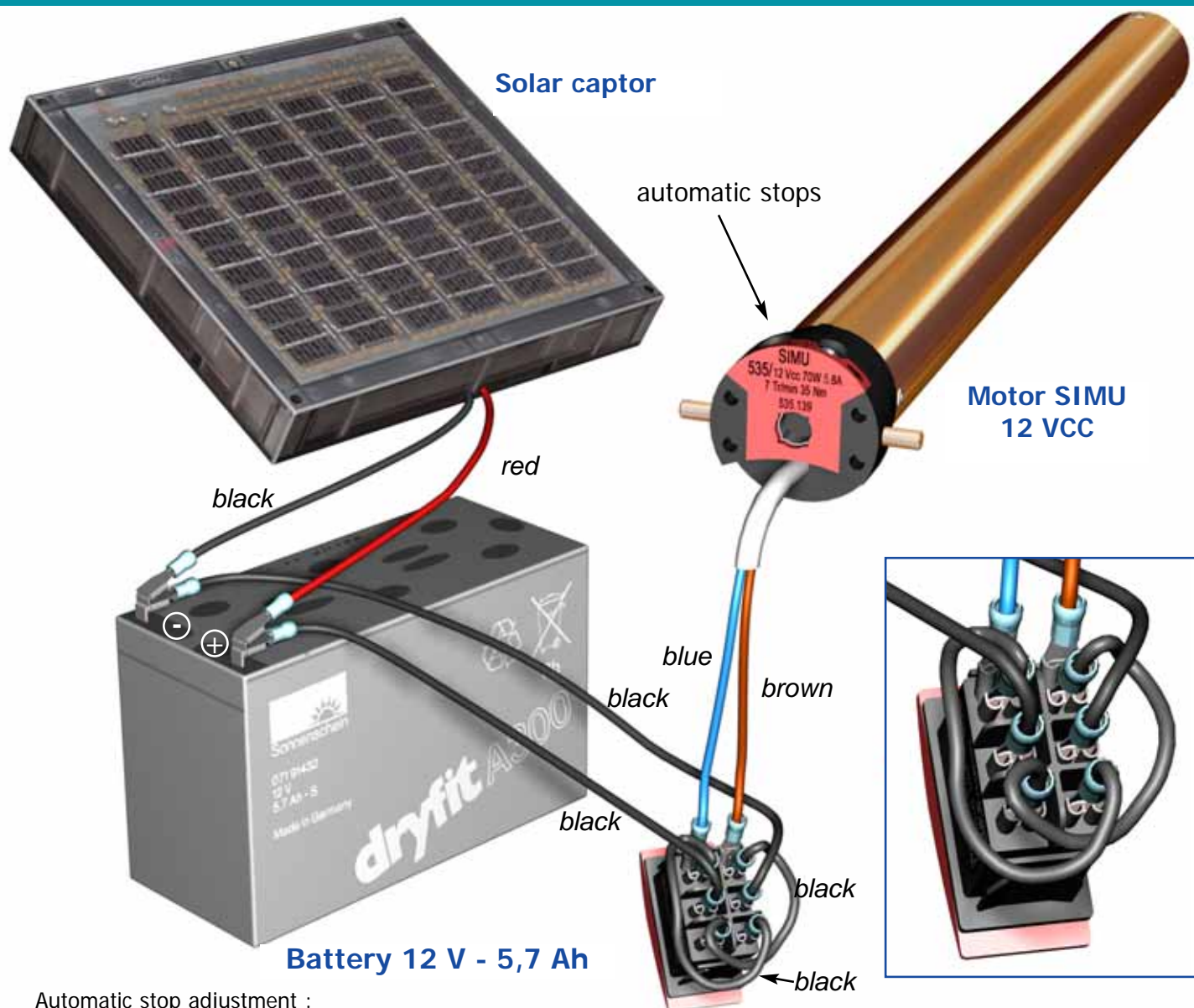
Extend the tube to allow the motor end sit into the motor support bracket.

Make sure the automatic stops are on top.
Ensure the 110mm middle tube section is sited precisely in the middle, and that the two ends of the tube are sited well into the motor and free side supports

Now tighten the four tube screws

The electrical wire must go through the hole under the motor support.





Automatic stop adjustment :


Automatic stops are located at the motor end.

Press on the red switch to open the cover on the pool.

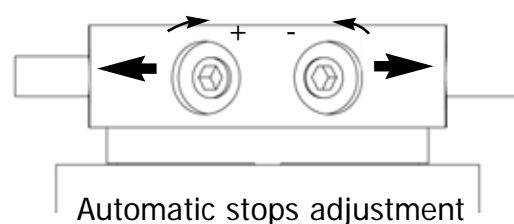
When the motor stops, turn the automatic stop adjustment in the "+" direction until the pool is totally covered..

Attention : if the motor does not stop automatically, press the switch and adjust the automatic stops to get the desired position.

When not in use always leave the switch in the middle position. Failure to do so will drain the battery.

 At initial installation and at the beginning of each swimming season, ensure the battery is fully charged using a suitable 12v lead-acid battery charger before use.

3 positions switch



Golden Coast Ltd

Fishleigh Road Roundswell Business Park
Barnstaple Devon EX31 3UA

Tel: +44 (0) 1271 378100

Fax: + 44 (0) 1271 371699

www.goldenc.com e-mail: swimmer@goldenc.com

As a quality assured company we reserve the right to alter and improve the specification of products as deemed necessary.