



in.therm

intelligent remote water heating systems



Designed to be totally
maintenance free!

Aeware 
by gecko





in.therm

Intelligent remote water heating system designed to be totally maintenance free.

Separated from pack, in.therm is an intelligent 4kw remote heater that integrates electronics in its power box. It includes a built-in temperature probe and a new water flow detection feature that eliminates the need of a pressure switch. In.therm controls multiple power levels on a single element extending its lifetime by heating at high power only when needed. With no moving parts and no adjustments, in.therm is hassle free and defines new levels of reliability.

In.therm was designed to be easily and quickly installed. Threads and in.link cables make it easy to connect to pack system & spa pipes.

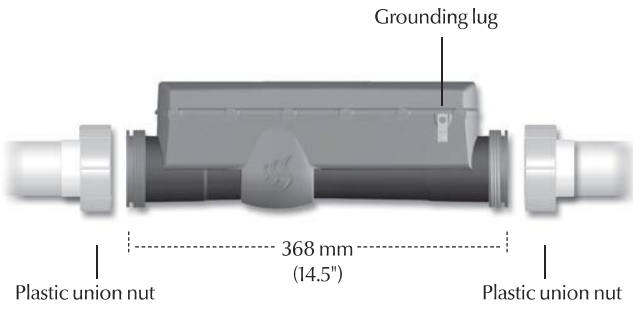


Totally sealed enclosure
(box & heat channel)

Nominal dimensions: 14,5" x 5" X 4"



Heater installation



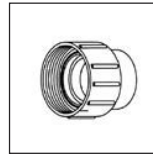
For an optimal connection to spa plumbing, please note that we recommend the following 2" compression fittings & nuts.



Waterway
#400-5570
www.waterwayplastics.com



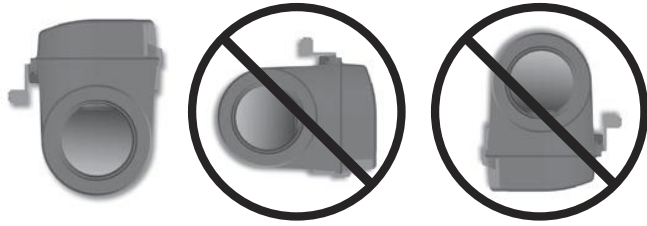
Aquatemp
#86-02335
www.aquatemp.com



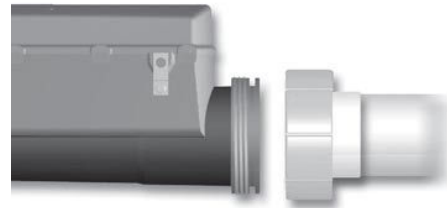
Aqua-Flo
#52202000
www.aqua-flo.com



Magic Plastics
#0602-20
www.magicplastics.com



Install heater in the upright position as illustrated above.

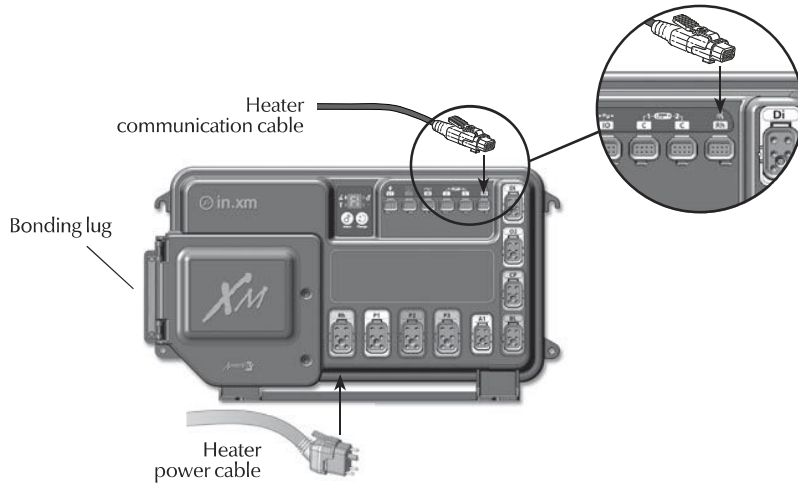


Slide the two 50 mm (2") plastic union nuts over the heater threaded ends and tighten the nuts.

Note: a minimum flow rate of 18 gpm is required.



Connecting in.therm to in.xm



Connect the heater power cable to the in.link output connector indicated Rh on the spa pack.

Connect the heater communication cable to the low voltage connector indicated Rh on the spa pack.

Connect the bonding conductor to the bonding lug on the face of the in.therm.

Important! CE and UL/CSA parts are not interchangeable!