



## HA440NG Pump

Powerful. Compact. Proven Reliability.

- Class F insulation
- 2" suction and discharge port
- Single or 2-Speed Models
- Reliable performance and long service life
- VDE, CSA, and CE/VDE/GS certified
- Available in 230V, 50Hz motors



made in the  USA

**BALBOA**  
water group

# HA440NG SpaPump

Premier HA440NG pumps are the ultimate benchmark in design, flexibility and performance. From small applications for zone seating and focused therapy up to multi pump configurations to run several jetted systems, HA440NG pumps supply the specific performance features you require and the long service life and powerful performance spa owners demand.

## Features

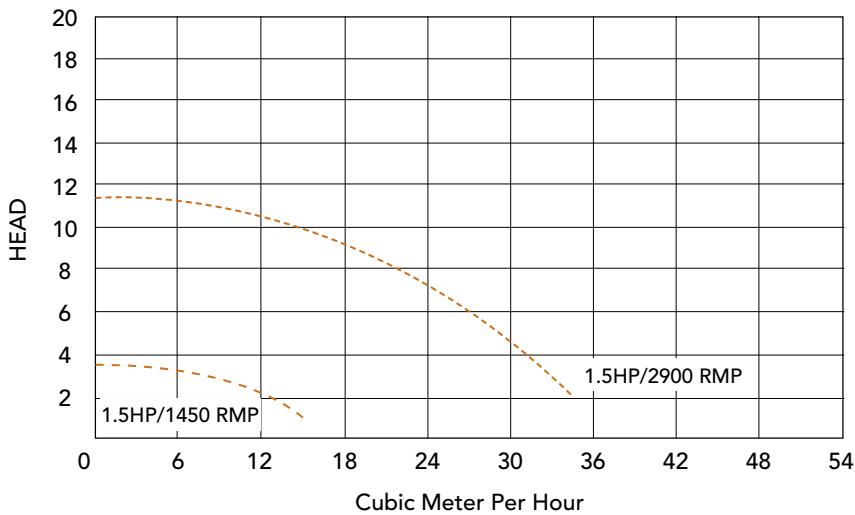
- High flow rates exceeding 34 m<sup>3</sup>/h for maximum performance in your luxury applications.
- All seals are carbon ceramic with Viton® elastomers for long-lasting performance, easily enduring prolonged heat and chemical exposure.
- Multi-directional volute mountings provide the flexibility to accommodate any configuration; 63mm, 2" and 2.5" union options.
- Choose single or 2-speed motors.
- HA440NG pumps are VDE approved according to European norms EN60335-1 and EN60335-2-41. This applies to the pump without cable.



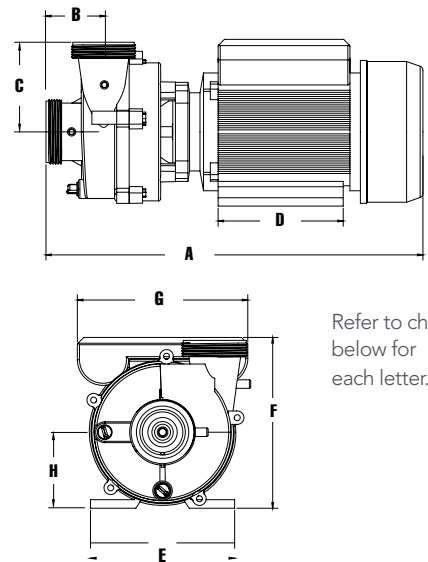
## Specifications

- Center suction/radial side discharge orientation
- 230V, 50Hz TEFC motors for Europe, IPX5
- 2" suction and discharge port
- Class F insulation
- Cable with AMP plug, ready for all spa pack or plug and play connection
- The pumps are supplied with centre suction and 2 drain connections to ensure total drainage of pump

## 50Hz Performance Curve International Model



## Pump Measurements



Refer to chart below for each letter.

## Material Numbers

Pump Dimensions (MM) - D & E represent center line of mounting holes

MATERIAL NO.	Volt	Hz	KW	Amps	HP	Speed	Cable	A	B	C	D	E	F	G	H
1023063	230V	50Hz	1.3	5.6A	1.5HP	Single	3m with AMP plug	394	67	109	102	124	197	168	94
1023024	230V	50Hz	1.3/ 0.35	5.7/ 1.5A	1.5HP	2-Speed	3m with AMP plug	394	67	109	102	124	197	168	94

The pumps with 2 values for the amps, are the 2 speed pumps, so it is at high and low speed.

## Unions and Noise Abatement

Union Kit Female 2" Socket - Material No: 2614029

Union Kit Female 2.5" Socket - Material No: 2614030

Union Kit Female 63mm Socket - Material No: 2614020

Vibration Mount - Material No: 1216001

HA440NG1012

© 2012 HydroAir International. All rights reserved. A Division of Balboa Water Group.  
Roustvej 50 | DK-6800 Varde | p +45 75 22 46 88 | www.hydroair.dk

We reserves the right to change technical data without further notice.

