



**in.temp**

A new way to regulate the water of your spa



**Plug and play solution**

Here comes Gecko's new heat pump solution. Using our in.temp has never been so easy! Simply connect it to a Y series control that supports it and you're good to go! Automatic detection, smart power management and no additional power circuit required, the in.temp powers directly from the spa control.

**Benefit from energy savings**

Are you looking for the most energy efficient form of heating water? Our in.temp is the perfect solution! Air sourced heat pumps, will allow you to save up to

75% energy consumption in comparison with electric elements. The icing on the cake: Gecko's in.temp also uses an eco-friendly refrigerant (R32 and R410A).

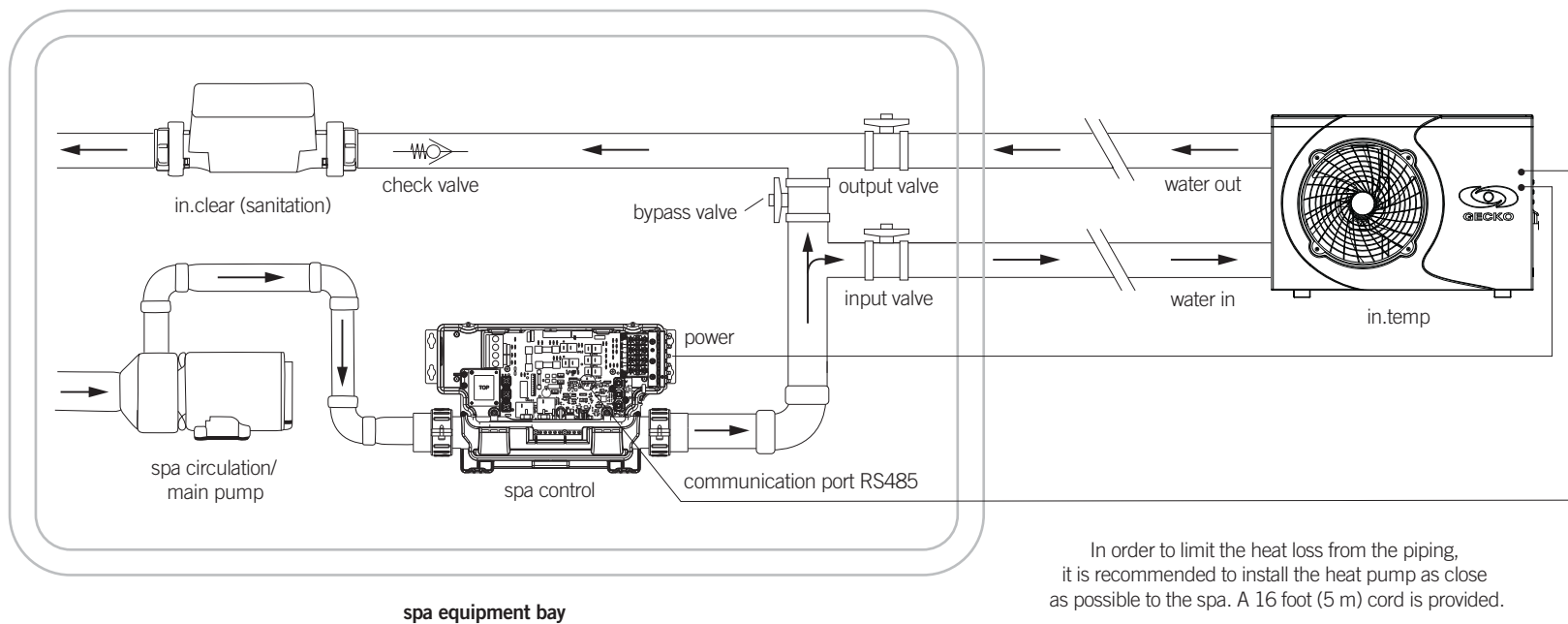
**A total flexibility that can also cool down water**

With in.temp, you can choose one of its six modes of operation that suits you the best: Eco Heat, Smart Heat, Eco Auto, Smart Auto, Cool and Electric! No matter the weather, your spa will always be at the perfect temperature. Smart modes let you taking full advantage of your in.temp to optimize your savings.



**in.temp**  
World-class, quiet and efficient.

## in.temp installation

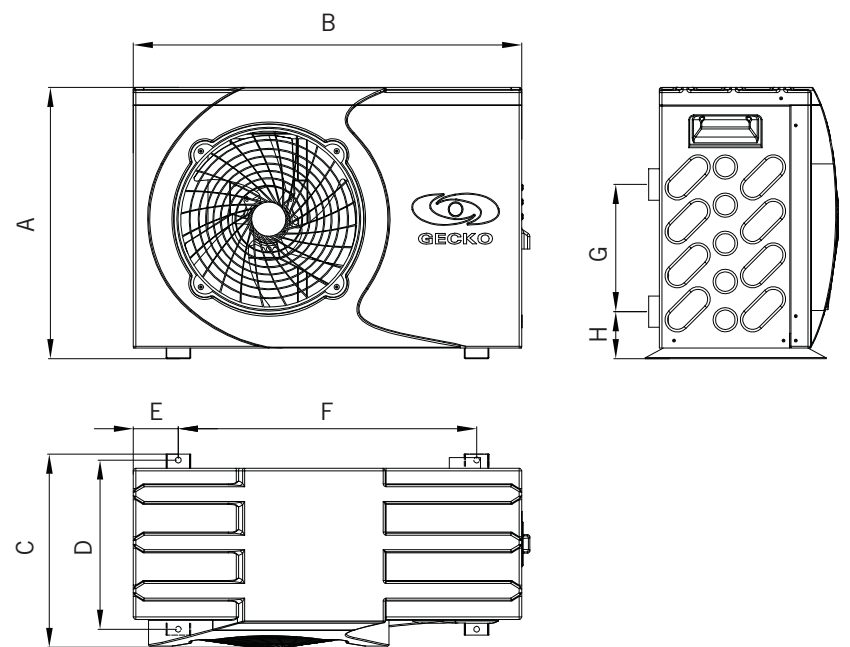


## specifications

## dimensions

Environmental ratings			
<b>Operating temperature:</b> -5 °C (23 °F) to 43 °C (109 °F)		<b>Water resistance:</b> IPX4	
Mechanical	CE models		NA** models
<b>Compressor:</b>	Rotary (GMCC)		Rotary (GMCC)
<b>Pressure:</b>	Min: 1,5 MPa (218 psi) Max: 4,15 MPa (609 psi)		Min: 1,5 MPa (218 psi) Max: 4,15 MPa (602 psi)
	<b>5kW</b>	<b>7,5kW</b>	<b>5kW</b> <b>7,5kW</b>
<b>Refrigerant:</b>	R32/650g (22,9oz)	R32/800g (28,2oz)	R410A/800g (28,2oz)    R410A/1100g (38,8oz)
<b>Weight:</b>			
Net:	39 kg (86 lb)	45 kg (99 lb)	39 kg (86 lb)      45 kg (99 lb)
Gross:	45 kg (99 lb)	48 kg (106 lb)	45 kg (99 lb)      48 kg (106 lb)
<b>Carton box size:</b>	850 x 390 x 572 mm 33,5 x 15,4 x 22,5 in	960 x 408 x 670 mm 37,8 x 16,1 x 26,4 in	793 x 360 x 555 mm 31,2 x 14,2 x 21,9 in    960 x 408 x 670 mm 37,8 x 16,1 x 26,4 in
<b>Best efficiency flow rate:</b>	2,27 M³/h (10 GPM)*    3,41 M³/h (15 GPM)*		2,27 M³/h (10 GPM)*    3,41 M³/h (15 GPM)*
<b>Flow detector:</b>	Flow switch		Flow switch
<b>Noise at 1 m:</b>	51,5dB(A)    62dB(A)	56,5dB(A)	51,5dB(A)      56,5dB(A)
Electrical	CE models		NA** models
<b>Input supply:</b>	220 V ~ 240 V, 50 Hz		240 V ± 5%, 60 Hz
	<b>5kW</b>	<b>7,5kW</b>	<b>5kW</b> <b>7,5kW</b>
<b>Power input (max):</b>	1,29 kW	1,91 kW	1,6 kW      2,3 kW
<b>Rated current<sup>1</sup>:</b>	3,9 A	5,49 A	5,27 A      6,32 A
<b>Max current<sup>1</sup>:</b>	6,07 A	8,67 A	7,5 A      9,6 A
<b>Communication supply:</b>	10-12 Vdc, 80mA		10-12 Vdc, 80mA
Performances	CE models		NA** models
	<b>5kW</b>	<b>7,5kW</b>	<b>5kW</b> <b>7,5kW</b>
<b>Heating capacity<sup>2</sup>:</b>	5,54 kW	7,52 kW	5,34 kW      7,6 kW
Power input:	0,89 kW	1,23 kW	1,14 kW      1,36 kW
COP:	6,21	6,13	4,7      5,69
<b>Heating capacity<sup>3</sup>:</b>	3,99 kW	5,63 kW	4,06 kW      5,92 kW
Power input:	0,87 kW	1,26 kW	1,08 kW      1,36 kW
COP:	4,59	4,48	3,76      4,36
<b>Cooling Capacity<sup>4</sup>:</b>	3,87 kW	6,24 kW	3,73 kW      6,16 kW
Power input:	1,2 kW	1,66 kW	1,37 kW      1,72 kW
EER:	3,21	3,76	2,7      3,58

\* Minimum flow of 5 GPM (1.14 M³/h)  
\*\* North American



	Gecko-5kW	Gecko-7.5kW
A	555 mm (21.85")	661 mm (26.02")
B	794 mm (31.26")	902 mm (35.51")
C	395 mm (15.55")	423 mm (16.65")
D	346 mm (13.62")	356 mm (14.02")
E	92 mm (3.62")	141 mm (5.55")
F	610 mm (24.02")	620 mm (24.41")
G	260 mm (10.24")	370 mm (14.57")
H	96 mm (3.78")	96 mm (3.78")

<sup>1</sup> Wires gauge and breaker size should be dimensioned according to the maximum current rating.  
<sup>2</sup> Based on the following operating conditions: 24°C (75°F) Ambient air, 26°C (79°F) Water inlet.  
<sup>3</sup> Based on the following operating conditions: 15°C (59°F) Ambient air, 26°C (79°F) Water inlet.  
<sup>4</sup> Based on the following operating conditions: 35°C (95°F) Ambient air, 29°C (84°F) Water inlet.

## compatibility

in.temp is compatible with all in.ye and in.yt versions equipped with a RS-485.  
in.temp requires software core 61 revision 54 or higher to operate interface.



Wide selection of keypads  
(auto-detected by the system upon connection)



in.k330  
color LCD display, 5 keys



in.k500  
color LCD display, 7 keys



in.k800  
color LCD display, 10 keys



in.k1001+  
color LCD capacitive  
touchscreen display



in.k1000+  
color LCD capacitive  
touchscreen display