



**SpaPumps**  
Your Single Source Solution

Made in the USA  
**BALBOA**  
water group



NOTES:

---

---

---

---

---

---

---

---

---

---

---

---

---

---

---

---

---

---

---

---

---

---

---



**Pump Specs:**

Material No.: 1016960 (60Hz),  
1016950 (50Hz)  
Voltage: 230V  
Frequency: 50Hz/60Hz  
Current: 7.6A  
HP: 2.0



**VARIMax™ Control Panel (50279)**

- Panel Overlay Only: 12686
- 3 button panel with LED light
- 3.625in round approx.
- 92.075mm round

**"SO QUIET**  
you'll ask if it is running"

— VARIMax Flow High Speed	— VARIMax Flow Low Speed
— AMPS High Speed	— AMPS Low Speed

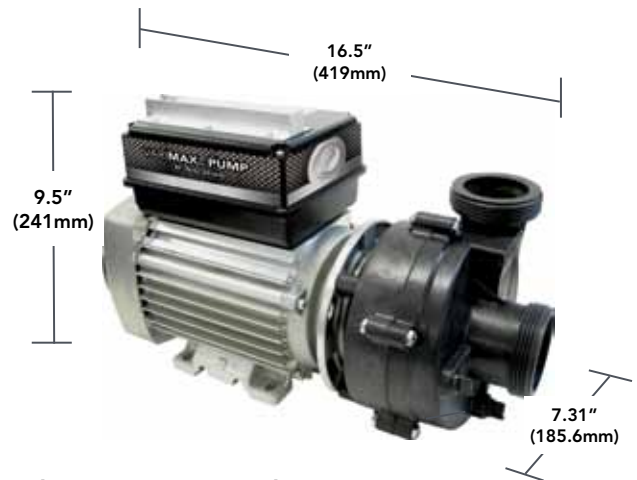
**Experience Customized Massage with The VariMax™ Pump**

Introducing VariMax™, the newest innovation in spa pumps from Balboa Water Group. The VariMax™ pump will provide a full body massage that will make you feel as though you have your own personal masseuse.

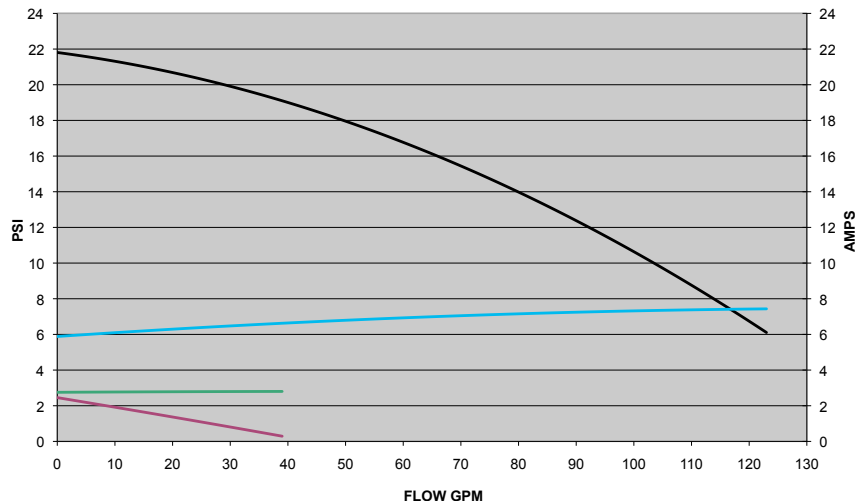
The VariMax™ pump allows you to create your own hydrotherapy options with a simple push of a button. You can enjoy water movement that is gentle, firm or anything in between by increasing or decreasing the intensity of the sensation or by selecting the wave/ pulse massage option.

Enjoy lounging in your spa knowing you have the ability to customize your massage settings. Experience water moving across your body – caressing your neck and shoulders, then pulsating down your back, legs and feet.

There are so many things in life that are out of your control, but your massage experience doesn't have to be one of them. Start your day with an invigorating massage or end your day with a soothing water sensation with a VariMax™ pump. It's your choice!



**VARIMax Flow Curves 230 Volt 60Hz**



Your Single Source Solution.

We reserve the right to change technical data without further notice.

p 714.384.0384 | f 714.384.0385

No copies authorized. All rights reserved.

©2016 Balboa Water Group.

Spa Catalog | 83



**NOTES:**

PUMPS

---

---

---

---

---

---

---

---

---

---

---

---

---

---

---

---

---

---

---

---

---

---

---



**FEATURES**

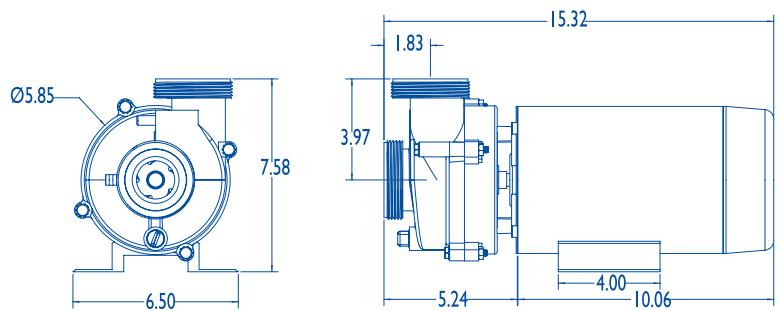
- All seals are carbon ceramic with Viton® elastomers for long-lasting performance, easily enduring prolonged heat and chemical exposure
- Multi-direction volute mounting and options deliver the greatest range of plumbing configurations
- Available in a compact 48 frame design motor or a cool running 56 frame motor.
- Choose single- or two-speed motor from 1 to 2 HP. With two-speed models, sanitation and heating can occur while maintaining lower running costs. Low cost motor combination option available for economical spa systems
- 115 volt options for portable plug and play spa models
- UL and CSA certified

**SPECIFICATIONS**

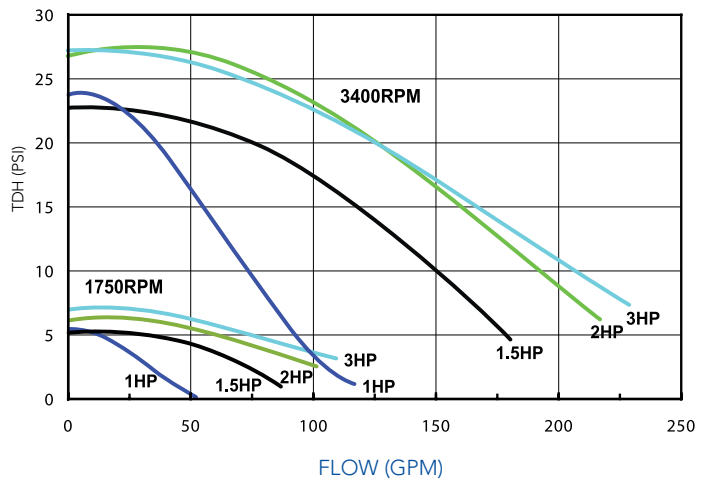
- Center suction / radial side discharge orientation or center suction / center line top discharge
- Suction Port: . . . . . 1.5" or 2"
- Discharge Port: . . . . . 1.5" or 2"
- Mechanical Seal: . . . . Carbon ceramic with Viton® elastomers

Victoria pumps provide long life, excellent performance, value pricing and configuration flexibility all in a cost-effective package. With flow rates that can exceed 230 gallons per minute, Victoria pumps are ideal for value-priced applications in any size spa.

With lower price points, ease of installation, high flow rates, and energy efficient packages, Victoria pumps offer the options you need and spa owners truly appreciate. Contact your Balboa Water Group representative today for additional information.



60Hz PERFORMANCE CURVE North America Model



PUMPS

## 1.0 HORSEPOWER (North America Domestic) – 1 Speed/115V

PART #	AMPS	SPEED	AMP CORD	IN-LINK CORD	JJ CORD	VOLTAGE	FREQUENCY (Hz)	FRAME SIZE
1014084	11.6	1	-	96	-	115	60 Hz	48

## 1.0 HORSEPOWER (North America Domestic) – 1 Speed/230V

PART #	AMPS	SPEED	AMP CORD	IN-LINK CORD	JJ CORD	VOLTAGE	FREQUENCY (Hz)	FRAME SIZE
1014073	11.6	1	-	-	48	230	60 Hz	48

## 1.0 HORSEPOWER (North America Domestic) – 2 Speed/115V

PART #	AMPS	SPEED	AMP CORD	IN-LINK CORD	JJ CORD	VOLTAGE	FREQUENCY (Hz)	FRAME SIZE
1014013	11.9 or 3.5	2	-	-	-	115	60 Hz	48
1014253	11.9 or 3.5	2	10	-	-	115	60 Hz	48

## 1.0 HORSEPOWER (North America Domestic) – 2 Speed/230V

PART #	AMPS	SPEED	AMP CORD	IN-LINK CORD	JJ CORD	VOLTAGE	FREQUENCY (Hz)	FRAME SIZE
1014215	5.8 or 2.4	2	-	-	-	230	60 Hz	48

## 1.5 HORSEPOWER (North America Domestic) – 2 Speed/115V

PART #	AMPS	SPEED	AMP CORD	IN-LINK CORD	JJ CORD	VOLTAGE	FREQUENCY (Hz)	FRAME SIZE
1014025	13.8 or 3.7	2	53	-	-	115	60 Hz	48
1014056	13.8 or 3.7	2	120	-	-	115	60 Hz	48
1014084	13.8 or 3.7	2	-	48	-	115	60 Hz	48
1014002	13.8 or 3.7	2	-	-	48	115	60 Hz	48
1014055	13.8 or 3.7	2	-	-	96	115	60 Hz	48
1014054	13.8 or 3.7	2	-	-	-	115	60 Hz	48

## 1.5 HORSEPOWER (North America Domestic) – 2 Speed/230V

PART #	AMPS	SPEED	AMP CORD	IN-LINK CORD	JJ CORD	VOLTAGE	FREQUENCY (Hz)	FRAME SIZE
1014347	8.2 or 2.8	2	-	-	-	230	60 Hz	48

## 2.0 HORSEPOWER (North America Domestic) – 1 Speed/230V

PART #	AMPS	SPEED	AMP CORD	IN-LINK CORD	JJ CORD	VOLTAGE	FREQUENCY (Hz)	FRAME SIZE
1014176	8.5	1	-	-	-	230	60 Hz	48

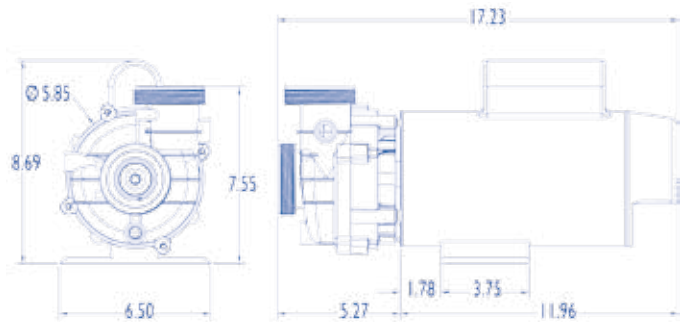
PUMPS



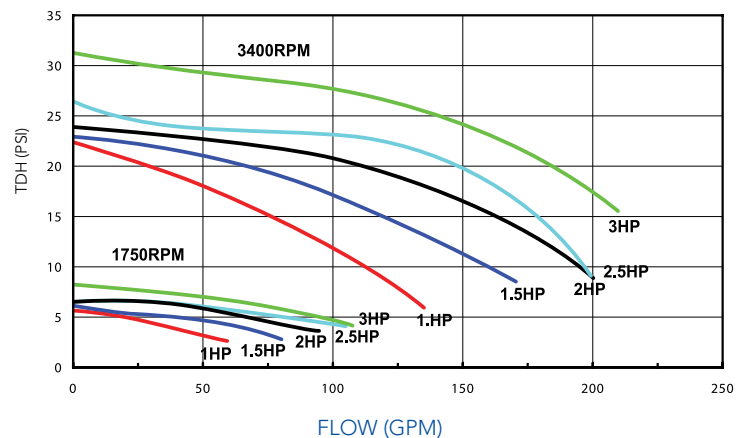
**FEATURES**

- All seals are carbon ceramic with Viton® elastomers for long-lasting performance, easily enduring prolonged heat and chemical exposure
- Available in 230V or 115V 60Hz motors for North America and 230V 50Hz TEFC motors for Europe
- Unique design impeller provides higher efficiency flow with a smaller horsepower motor than other pumps in the same class; high flow rates can exceed 210 gallons per minute
- Multi-directional volute mountings and a 3 position drain plug for complete flexibility of configuration
- Petite volute and compact 48 frame design allow for easy installation in hard to fit areas
- Choose single- or two-speed motor from 1 to 3 HP; with two-speed models, sanitization and heating can occur while maintaining lower running costs
- Whisper quiet operation assures a peaceful spa experience
- 115 volt models available for portable plug and play spas
- UL, TUV, CSA, and CE/VDE/GS certified

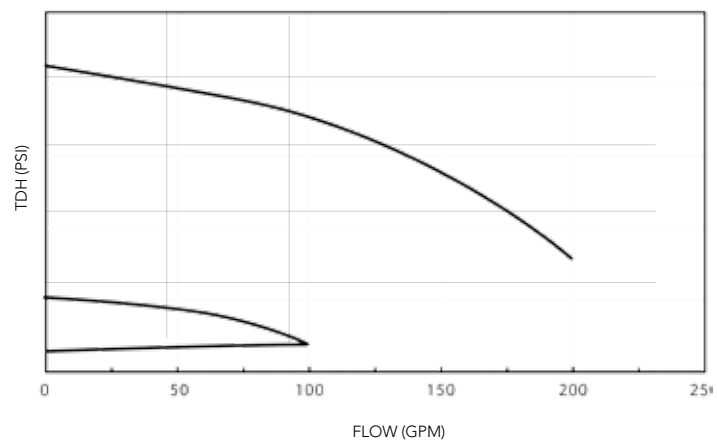
The Cascades™ pumps have earned a reputation for consistent quality and long service life. Manufacturers profit from their design flexibility and compact size. Dealers appreciate the ease of replacement. And spa users enjoy their quiet, economical and trouble-free operation.



**60Hz PERFORMANCE CURVE North America Model**



**PERFORMANCE CURVE 50Hz International Models**



# Spa Pump

Dura Jet™ - Cascades - Single Or Dual Speed



PUMPS



## SPECIFICATIONS

- Center suction / radial side discharge orientation
- Suction Port: . . . . . 2"
- Discharge Port: . . . . . 2"
- Mechanical Seal: . . . Carbon ceramic with Viton elastomers

## OPTIONS

- True rated 1, 1.5, 2, 2.5, and 3 HP models
- 115 volt options in 1 and 1.5 HP; remaining motors 230V 60Hz for North America; 230V 50Hz TEFC motors for Europe
- 48 or 56 Frame Size
- Class F insulation
- Single or 2-speed models
- All spa pack or plug and play connection leads available

## Descriptions:

- All seals are carbon ceramic with Viton® elastomers for long-lasting performance, easily enduring prolonged heat and chemical exposure
- Available in 230V or 115V 60Hz motors for North America and 230V 50Hz TEFC motors for Europe
- Uniquely designed impeller provides higher efficiency flow with a smaller horsepower motor than other pumps in the same class; high flow rates can exceed 210 gallons per minute
- Multi-directional volute mountings and a 3 position drain plug for complete flexibility of configuration
- Petite volute and compact 48 frame design allow for easy installation in hard to fit areas
- Choose single- or two-speed motor from 1 to 3 HP; with two-speed models, sanitization and heating can occur while maintaining lower running costs.



1.0 HORSEPOWER (North America Domestic) – 2 Speed/115V

PART #	SPEED	AMP CORD	IN-LINK CORD	JJ CORD	VOLTAGE	FREQUENCY (Hz)	AMPS	FRAME SIZE
DJAYEA-0153	2	53	–	–	115	60 Hz	10.4 or 3.6	48

1.5 HORSEPOWER (North America Domestic) – 2 Speed/115V

PART #	SPEED	AMP CORD	IN-LINK CORD	JJ CORD	VOLTAGE	FREQUENCY (Hz)	AMPS	FRAME SIZE
DJAYFA-0151	2	53	–	–	115	60 Hz	13 or 3.7	48

1.5 HORSEPOWER (North America Domestic) – 2 Speed/230V

PART #	SPEED	AMP CORD	IN-LINK CORD	JJ CORD	VOLTAGE	FREQUENCY (Hz)	AMPS	FRAME SIZE
DJAYFB-0153	2	53	–	–	230	60 Hz	7.2 or 2.4	48
DJAYFB-01A3	2	120	–	–	230	60 Hz	7.2 or 2.4	48
DJAYFB-01C3	2	–	48	–	230	60 Hz	7.2 or 2.4	48
DJAYFB-01D3	2	–	96	–	230	60 Hz	7.2 or 2.4	48
DJAYFB-0123	2	–	–	48	230	60 Hz	7.2 or 2.4	48
DJAYFB-01B3	2	–	–	96	230	60 Hz	7.2 or 2.4	48

2.0 HORSEPOWER (North America Domestic) – 1 Speed/230V

PART #	AMPS	SPEED	AMP CORD	IN-LINK CORD	JJ CORD	VOLTAGE	FREQUENCY (Hz)	FRAME SIZE
DJAGB-0153	8.6	1	53	–	–	230	60 Hz	48

2.0 HORSEPOWER (North America Domestic) – 2 Speed/230V

PART #	AMPS	SPEED	AMP CORD	IN-LINK CORD	JJ CORD	VOLTAGE	FREQUENCY (Hz)	FRAME SIZE
DJAYGB-0153	8.5 or 3.0	2	53	–	–	230	60 Hz	48
DJAYGB-01A3	8.5 or 3.0	2	120	–	–	230	60 Hz	48

2.5 HORSEPOWER (North America Domestic) – 1 Speed/230V

PART #	AMPS	SPEED	AMP CORD	IN-LINK CORD	JJ CORD	VOLTAGE	FREQUENCY (Hz)	FRAME SIZE
DJAAGB-0153	11.1	1	53	–	–	230	60 Hz	48
DJAAGB-01A3	11.1	1	120	–	–	230	60 Hz	48

## 2.5 HORSEPOWER (North America Domestic) – 2 Speed/230V

PART #	AMPS	SPEED	AMP CORD	IN-LINK CORD	JJ CORD	VOLTAGE	FREQUENCY (Hz)	FRAME SIZE
DJAAYGB-0153	10.7 or 3.0	2	53	–	–	230	60 Hz	48
DJAAYGB-01A3	10.7 or 3.0	2	120	–	–	230	60 Hz	48

## 3.0 HORSEPOWER (North America Domestic) – 2 Speed/230V

PART #	AMPS	SPEED	AMP CORD	IN-LINK CORD	JJ CORD	VOLTAGE	FREQUENCY (Hz)	FRAME SIZE
DJAYHB-0151	12.0 or 3.7	2	53	–	–	230	60 Hz	48
DJAYHB-0101	12.0 or 3.7	2	No	No	No	230	60 Hz	48

## 2.0 HORSEPOWER (50Hz Export International) – 1 Speed/230V

PART #	AMPS	SPEED	AMP CORD	IN-LINK CORD	JJ CORD	VOLTAGE	FREQUENCY (Hz)	FRAME SIZE
1025010	9.0	1	120	–	–	230	50 Hz	90
1025004	6.0	1	–	–	48	230	50 Hz	90
1025002	9.0	1	No	No	No	230	50 Hz	90

## 2.0 HORSEPOWER (50Hz Export International) – 2 Speed/230V

PART #	AMPS	SPEED	AMP CORD	IN-LINK CORD	JJ CORD	VOLTAGE	FREQUENCY (Hz)	FRAME SIZE
1025011	9.0 or 3.0	2	53	–	–	230	50 Hz	90
1025006	9.0 or 3.0	2	120	–	–	230	50 Hz	90
1025003	9.0 or 3.0	2	–	–	48	230	50 Hz	90



**FEATURES**

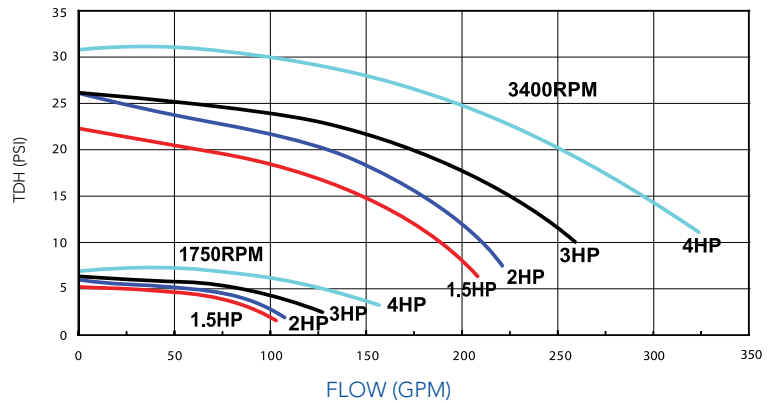
- High flow rates exceeding 325 gallons per minute for maximum performance in your luxury applications
- All seals are carbon ceramic with Viton® elastomers for long-lasting performance, easily enduring prolonged heat and chemical exposure
- Multi-directional volute mountings provide the flexibility to accommodate any configuration; 2" and 2.5" suction options
- Cool running 56 frame motor
- Available in 230V or 115V 60Hz motors for North America and 230V 50Hz TEFC motors for Europe
- Choose single- or two-speed motor from 1.5 to 4 HP; with two-speed models, sanitation and heating can occur while maintaining lower operational costs
- Specify an ultra efficient motor and our highest efficiency hydraulics versions help meet appliance efficiency regulations
- Reliable performance and long service life for more enjoyable ownership
- UL, TUV, CSA, and CE/VDE/GS certified

Premier Niagara pumps are the ultimate benchmark in design flexibility and performance. From small applications for zone seating and focused therapy up to multi pump configurations to run 100+ jetted systems, Niagara pumps supply the specific performance features you require and the long service life and powerful performance spa owners demand.

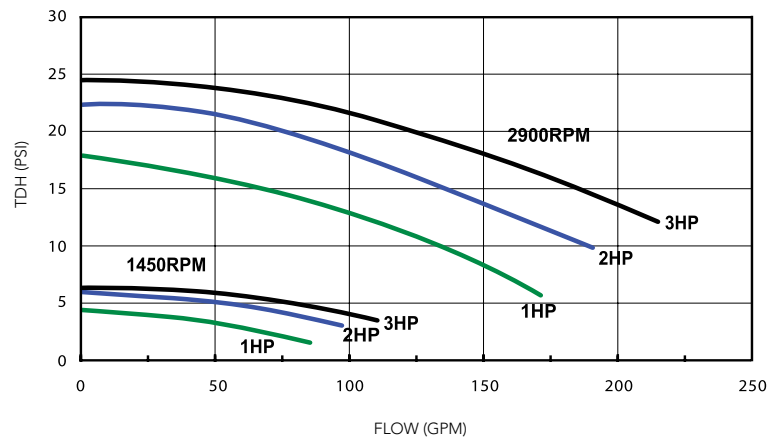
Niagara pumps offer the options you need...an energy-efficient package, unsurpassed design flexibility, ease of installation, high flow rate and dependable operation. Contact your Balboa Water Group representative for more information.

PUMPS

60Hz PERFORMANCE CURVE North America Model



PERFORMANCE CURVE 50Hz International Models



Your Single Source Solution.

We reserve the right to change technical data without further notice.

p 714.384.0384 | f 714.384.0385

No copies authorized. All rights reserved.

©2016 Balboa Water Group.

Spa Catalog | 91

# Spa Pump

Ultimax™ - Niagara - Single Or Dual Speed



PUMPS

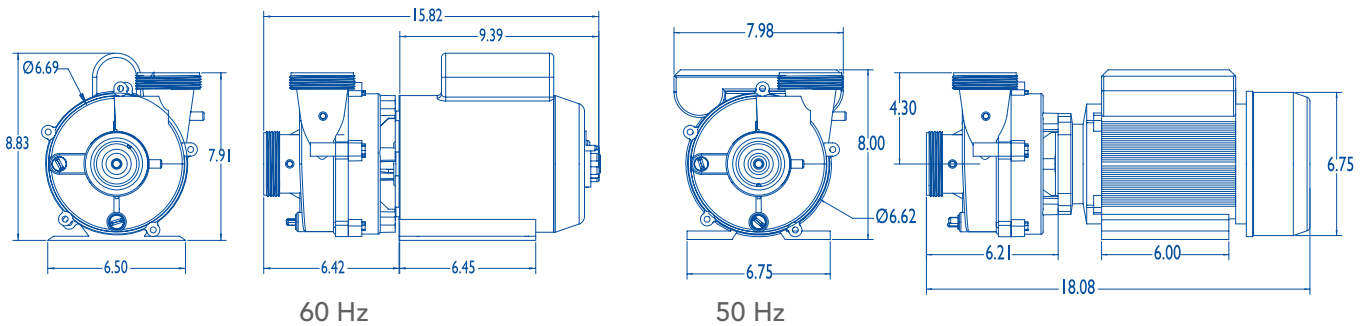


### SPECIFICATIONS

- Center suction / radial side discharge orientation
- Suction Port: . . . . . 2" or 2.5"
- Discharge Port: . . . . . 2"
- Mechanical Seal: . . . . Carbon ceramic with Viton elastomers

### OPTIONS

- True rated 1.5, 2, 3 and 4 HP models
- 115 volt options in 1.5 HP; remaining motors 230V 60Hz for North America and 230V 50 Hz TEFC motors for Europe
- 48 or 56 Frame Size 60 Hz
- 80 or 90 Frame Size 50 Hz
- Class F insulation
- Single or 2-speed models
- All spa pack or plug and play connection leads available



### Descriptions:

Niagara pumps offer the options you need...an energy-efficient package, unsurpassed design flexibility, ease of installation, high flow rate and dependable operation.

### MOTOR OPTIONS

- True rated 1.5, 2, 2.5, 3 and 4 HP models
- 115 volt options in 1.5 HP; remaining motors 230V 60Hz for North America and 230V 50 Hz TEFC motors for Europe
- 48 or 56 frame
- Class F insulation
- Single- or 2-speed models
- All spa pack or plug and play connection leads available
- Energy-Efficient package option

1.5 HORSEPOWER (North America Domestic) – 1 Speed/15 Frame Size

PART #	AMPS	SPEED	AMP CORD	IN-LINK CORD	JJ CORD	VOLTAGE	FREQUENCY (Hz)	FRAME SIZE
1016037	7.5	1	120	–	–	230	60 Hz	15

2.0 HORSEPOWER (North America Domestic) – 1 Speed/56 Frame Size

PART #	AMPS	SPEED	AMP CORD	IN-LINK CORD	JJ CORD	VOLTAGE	FREQUENCY (Hz)	FRAME SIZE
1016021	8.8	1	53	–	–	230	60 Hz	56

2.0 HORSEPOWER (North America Domestic) – 2 Speed/56 Frame Size

PART #	AMPS	SPEED	AMP CORD	IN-LINK CORD	JJ CORD	VOLTAGE	FREQUENCY (Hz)	FRAME SIZE
1016076	8.8 or 2.9	2	53	–	–	230	60 Hz	56
1016010	8.8 or 2.9	2	120	–	–	230	60 Hz	56

3.0 HORSEPOWER (North America Domestic) – 1 Speed/56 Frame Size

PART #	AMPS	SPEED	AMP CORD	IN-LINK CORD	JJ CORD	VOLTAGE	FREQUENCY (Hz)	FRAME SIZE
1016004	12.0	1	–	–	48	230	60 Hz	56
1016178	12.0	1	No	No	No	230	60 Hz	56

### 3.0 HORSEPOWER (North America Domestic) – 2 Speed/56 Frame Size

PART #	AMPS	SPEED	AMP CORD	IN-LINK CORD	JJ CORD	VOLTAGE	FREQUENCY (Hz)	FRAME SIZE
1016024	12.0 or 3.5	2	42	–	–	230	60 Hz	56
1016084	12.0 or 3.5	2	–	–	48	230	60 Hz	56

### 4.0 HORSEPOWER (North America Domestic) – 1 Speed/56 Frame Size

PART #	SPEED	AMP CORD	IN-LINK CORD	JJ CORD	VOLTAGE	FREQUENCY (Hz)	AMPS	FRAME SIZE
1016185	1	–	–	–	230	60 Hz	16.4	56
1016193	1	53	–	–	230	60 Hz	16.4	56

### 4.0 HORSEPOWER (North America Domestic) – 2 Speed/56 Frame Size

PART #	SPEED	AMP CORD	IN-LINK CORD	JJ CORD	VOLTAGE	FREQUENCY (Hz)	AMPS	FRAME SIZE
1016196	2	53	–	–	230	60 Hz	16.4 or 4.1	56
1016186	2	No	No	No	230	60 Hz	16.4 or 4.1	56



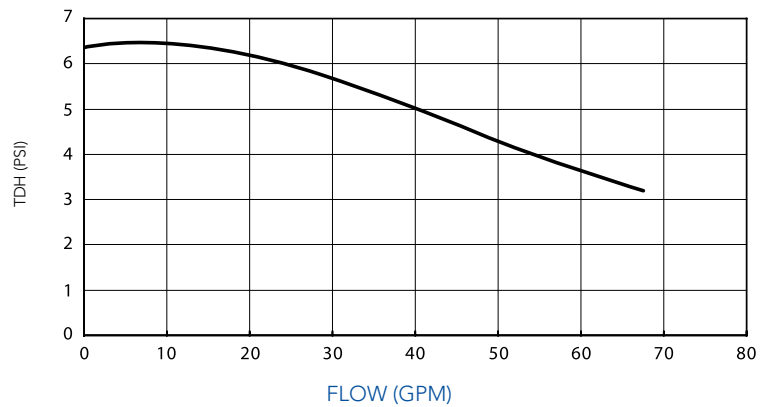
**FEATURES**

- All seals are carbon ceramic with Viton® elastomers for long-lasting performance, easily enduring prolonged heat and chemical exposure
- Available in 230V 60Hz motors for North America and 230V 50Hz TEFC motors for Europe
- Multi-directional volute mounting provides the flexibility to accommodate any plumbing configuration
- Compact design allows for easy installation within spa cabinet confines
- Nearly silent operation assures a peaceful spa experience
- Ozone injection can run concurrently so water is sanitized and clean for every use
- UL, TUV, vCSA, and CE/VDE/GS certified

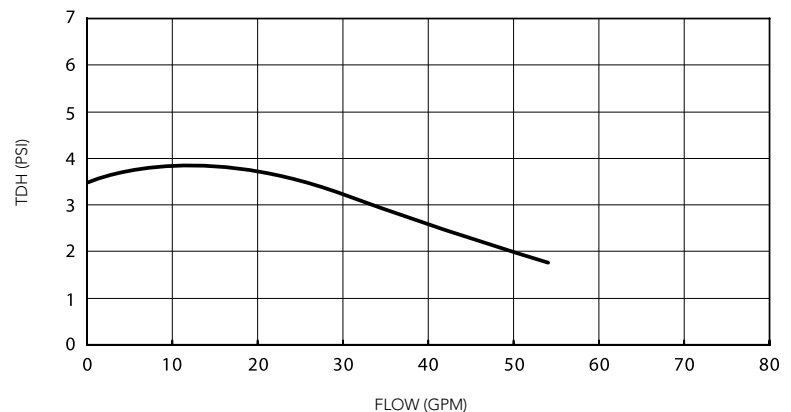
The Circulation Pump combines the best of two technologies—the proven reliability of the Ultima pump wet end and the dynamic WOW motor that revolutionized the bath market. The high flow circ pump provides up to 67 gallons per minute flow while operating while drawing only 1 amp—that’s equivalent to the power need to illuminate a 100 watt bulb—so you can be sure your spa meets even the most stringent energy regulations while minimizing operating expenses for the owner. This pump is also very compact and easy to install in any configuration, a big plus in production since space is always at a premium.

PUMPS

60Hz PERFORMANCE CURVE North America Model



50Hz PERFORMANCE CURVE International Models



Your Single Source Solution.

We reserve the right to change technical data without further notice.

p 714.384.0384 | f 714.384.0385

No copies authorized. All rights reserved.

©2016 Balboa Water Group.

Spa Catalog | 95

# Spa Pump

Circulation - Center Or Side Discharge



PUMPS

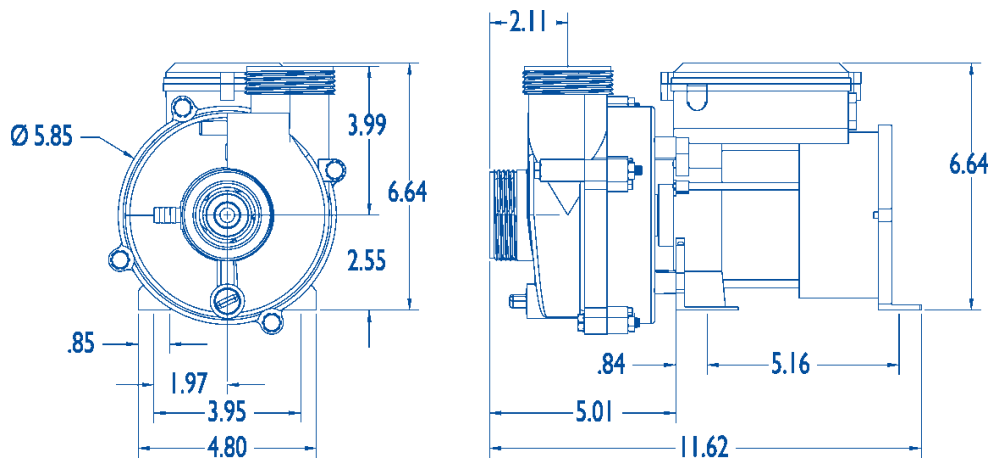


### SPECIFICATIONS

- Center suction / radial side discharge orientation or center top discharge
- Suction Port: . . . . . 1.5" or 2"
- Discharge Port: . . . . . 1.5" or 2"
- Mechanical Seal: . . . . Carbon ceramic with Viton elastomers

### OPTIONS

- 230V or 115V 60Hz motors for North America
- 230V 50Hz TEFC motors for Europe
- Class F insulation
- All spa pack or plug and play connection leads available



### Descriptions:

Ease of installation, high flow rate and high efficiency...our circ pump provides significant advantages for everyone involved with your spa.

### MOTOR OPTIONS

- 230V or 115V 60Hz motors for North America
- 230V 50Hz TEFC motors for Europe
- Class F insulation
- All spa pack or plug and play connection leads available



0.25 HORSEPOWER (North America Domestic) – 1 Speed/230V

PART #	SPEED	AMP CORD	IN-LINK CORD	JJ CORD	VOLTAGE	FREQUENCY (Hz)	AMPS	FRAME SIZE
1030022	1	53	–	–	230	60 Hz	1.1	10
1030021	1	120	–	–	230	60 Hz	1.1	10
1030025	1	–	48	–	230	60 Hz	1.1	10
1030056	1	No	No	No	230	60 Hz	1.1	10

0.25 HORSEPOWER (Export Intl.) – 1 Speed/230V

PART #	SPEED	AMP CORD	IN-LINK CORD	JJ CORD	VOLTAGE	FREQUENCY (Hz)	AMPS	FRAME SIZE
1030017	1	53	–	–	230	50 Hz	0.8	70
1030013	1	No	No	No	230	50 Hz	1.1	10

# Wet Ends

Ultima™ - Victoria Wet End Assemblies



PUMPS



Victoria Wet End



Niagara Wet End



Circulation Wet End



Cascade Wet End

## Victoria Wet End Assemblies – 1215009 Fits:

PART #	SPEED	HORSEPOWER	VOLTAGE	FREQUENCY (Hz)	AMPS	FRAME SIZE
<b>1215009 FITS</b>	2	1.0	115	60 Hz	11.9 or 3.5	48
	1	1.0	230	60 Hz	6.0	48
	2	1.0	230	60 Hz	5.8 or 2.4	48

## Victoria Wet End Assemblies

PART #	SPEED	HORSEPOWER	VOLTAGE	FREQUENCY (Hz)	AMPS	FRAME SIZE
1215031	1	1.0	115	60 Hz	11.6	48
1215032	2	2.0	230	60 Hz	8.8 or 2.9	48

## Victoria Wet End Assemblies – 1215123 Fits:

PART #	SPEED	HORSEPOWER	VOLTAGE	FREQUENCY (Hz)	AMPS	FRAME SIZE
<b>1215123 FITS</b>	1	1.5	115	60 Hz	15.5	48
	2	1.5	115	60 Hz	13.8 or 3.7	48
	2	1.5	230	60 Hz	8.0 or 2.8	48

## Victoria Wet End Assemblies

PART #	SPEED	HORSEPOWER	VOLTAGE	FREQUENCY (Hz)	AMPS	FRAME SIZE
1215132	1	2.0	230	60 Hz	8.5	48

Cascades Wet End Assemblies – 1215014 Fits:

PART #	SPEED	HORSEPOWER	VOLTAGE	FREQUENCY (Hz)	AMPS	FRAME SIZE
<b>1215014 FITS</b>	1	2.0	230	60 Hz	8.6	48
	2	2.0	230	60 Hz	8.5 or 3.0	48

Cascades Wet End Assemblies – 1215015 Fits:

PART #	SPEED	HORSEPOWER	VOLTAGE	FREQUENCY (Hz)	AMPS	FRAME SIZE
<b>1215015 FITS</b>	1	3.0	230	60 Hz	12.0	48
	2	3.0	230	60 Hz	12.0 or 3.7	48

Cascades Wet End Assemblies

PART #	SPEED	HORSEPOWER	VOLTAGE	FREQUENCY (Hz)	AMPS	FRAME SIZE
<b>1215022</b>	2	1.0	115	60 Hz		48

Cascades Wet End Assemblies – 1215023 Fits:

PART #	SPEED	HORSEPOWER	VOLTAGE	FREQUENCY (Hz)	AMPS	FRAME SIZE
<b>1215023 FITS</b>	2	1.5	115	60 Hz		48
	2	1.5	230	60 Hz		48

Cascades Wet End Assemblies – 1215033 Fits:

PART #	SPEED	HORSEPOWER	VOLTAGE	FREQUENCY (Hz)	AMPS	FRAME SIZE
<b>1215033 FITS</b>	1	2.5	230	60 Hz	11.1	48
	2	2.5	230	60 Hz	10.7 or 3.0	48

# Wet Ends

Dura Jet™ - Cascades 50Hz Wet End Assemblies



PUMPS



Victoria Wet End



Niagara Wet End



Circulation Wet End



Cascade Wet End

## Niagara Wet End Assemblies – 1215011 Fits:

PART #	SPEED	HORSEPOWER	VOLTAGE	FREQUENCY (Hz)	AMPS	FRAME SIZE
<b>1215011 FITS</b>	1	2.0	230	50 Hz	6.0	71
	2	2.0	230	50 Hz	9.0 or 3.0	90

## Niagara Wet End Assemblies – 1215012 Fits:

PART #	SPEED	HORSEPOWER	VOLTAGE	FREQUENCY (Hz)	AMPS	FRAME SIZE
<b>1215012 FITS</b>	1	3.0	230	50 Hz	11.5	90
	2	3.0	230	50 Hz	11.5 or 3.4	90

## Niagara Wet End Assemblies – 1215021 Fits:

PART #	SPEED	HORSEPOWER	VOLTAGE	FREQUENCY (Hz)	AMPS	FRAME SIZE
<b>1215021 FITS</b>	1	1.0	230	50 Hz	5.7	71
	2	1.0	230	50 Hz	5.7 or 2.3	71

Niagara Wet End Assemblies – 1215007 Fits:

PART #	SPEED	HORSEPOWER	VOLTAGE	FREQUENCY (Hz)	AMPS	FRAME SIZE
<b>1215007 FITS</b>	1	4.0	230	60 Hz	16.4	56
	2	4.0	230	60 Hz	16.4 or 4.1	56

Niagra Wet End Assemblies

PART #	SPEED	HORSEPOWER	VOLTAGE	FREQUENCY (Hz)	AMPS	FRAME SIZE
<b>1215010</b>	2	1.5	230	60 Hz	6.7 or 2.6	56

Niagara Wet End Assemblies – 1215021 Fits:

PART #	SPEED	HORSEPOWER	VOLTAGE	FREQUENCY (Hz)	AMPS	FRAME SIZE
<b>1215021 FITS</b>	2	2.0	230	60 Hz	8.8 or 2.9	56
	1	2.0	230	60 Hz	8.8	56
	1	3.0	230	60 Hz	12.0	56

Niagara Wet End Assemblies – 1215160 Fits:

PART #	SPEED	HORSEPOWER	VOLTAGE	FREQUENCY (Hz)	AMPS	FRAME SIZE
<b>1215160 FITS</b>	1	1.5	230	60 Hz	7.5	15
	2	3.0	230	60 Hz	12.0 or 3.5	56
	1	3.0	230	60 Hz	12.0	56

# Wet Ends

Ultimax™ - Niagara Wet End Assemblies



Victoria Wet End



Niagara Wet End



Circulation Wet End



Cascade Wet End

## Circulation Wet End Assemblies – 1215121 Fits:

PART #	SPEED	HORSEPOWER	VOLTAGE	FREQUENCY (Hz)	AMPS	FRAME SIZE
<b>1215121 FITS</b>	1	0.25	230	60 Hz	1.1	10
	1	0.25	230	50 Hz	1.1	10
	1	0.25	230	50 Hz	0.8	70



**UNION KIT 45° ELBOW**

**Material No:** 3320255

**Box Qty:** 20

**Descriptions:**

Male 2" Spigot.



**UNION KIT**

**Material No:** 2614030

**Box Qty:** 25

**Descriptions:**

Female 2.5" Socket



**UNION KIT**

**Material No:** 2614029

**Box Qty:** 70

Female 2" Socket



**SPLIT NUT 2"**

**Material No:** 3320274

**Box Qty:** 10



**UNION KIT**

**Material No:** 2614020

**Box Qty:** 25

Female 63mm Socket



**UNION**

**Material No:** 261027

**Box Qty:** XXX

**Descriptions:**

Split Nut 2"  
2" x 1.5" Pump Union



**PUMP UNION WITH O-RING**

**Material No:** 92016

**Color:** White

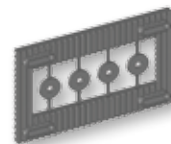
**Box Qty:** 50

Also Available In:

92016M- Metric

**Descriptions:**

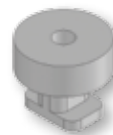
1 1/2" Quick Disconnect with O-Ring  
Metric 50mm Slip Quick Disconnect with O-Ring



**MOTOR PAD FOR NOISE ABATEMENT**

**Material No:** 1216163

**Box Qty:** 25



**VIBRATION MOUNT**

**Material No:** 1216001

**Box Qty:** 25

**Descriptions:**

A quiet, more luxurious performance from middle and high end products. .

